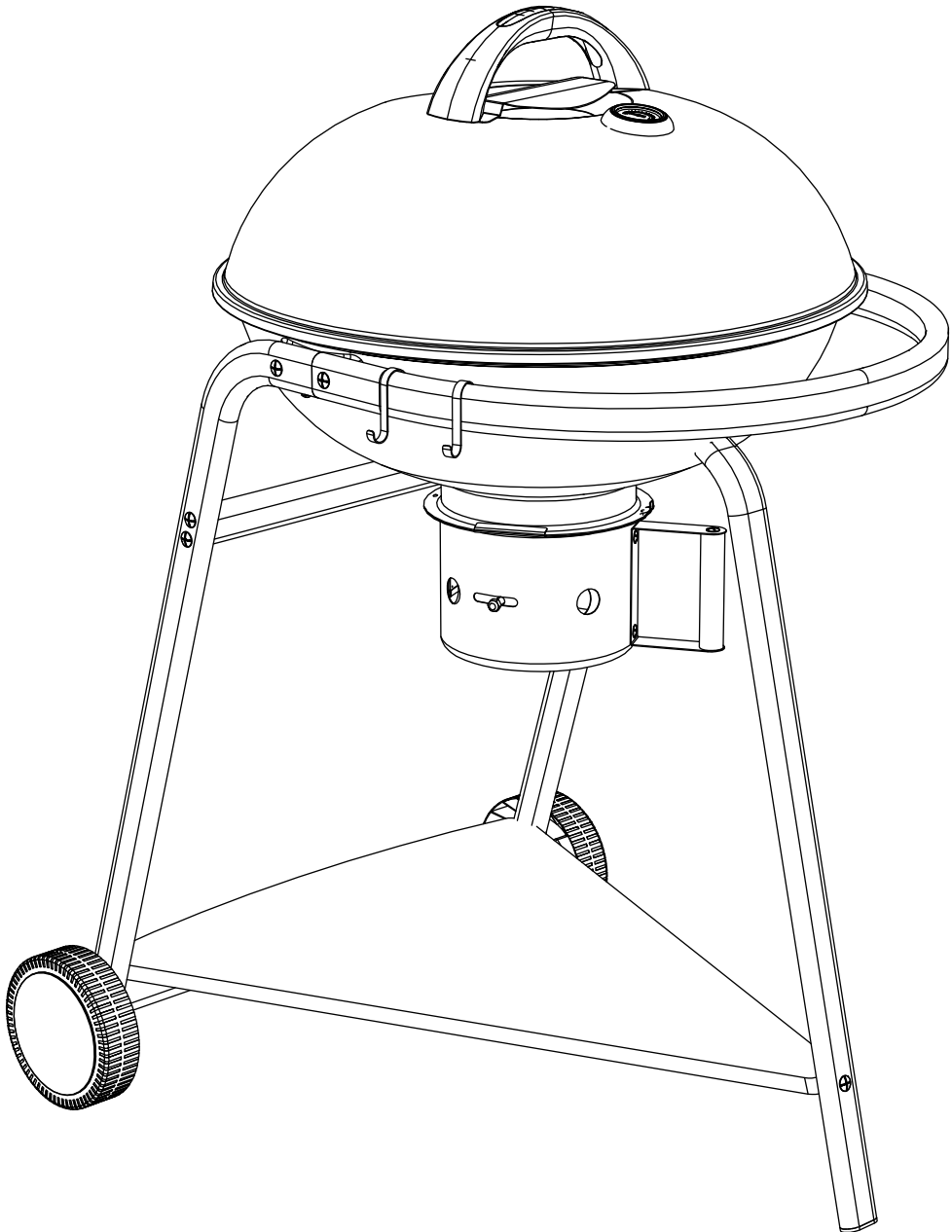
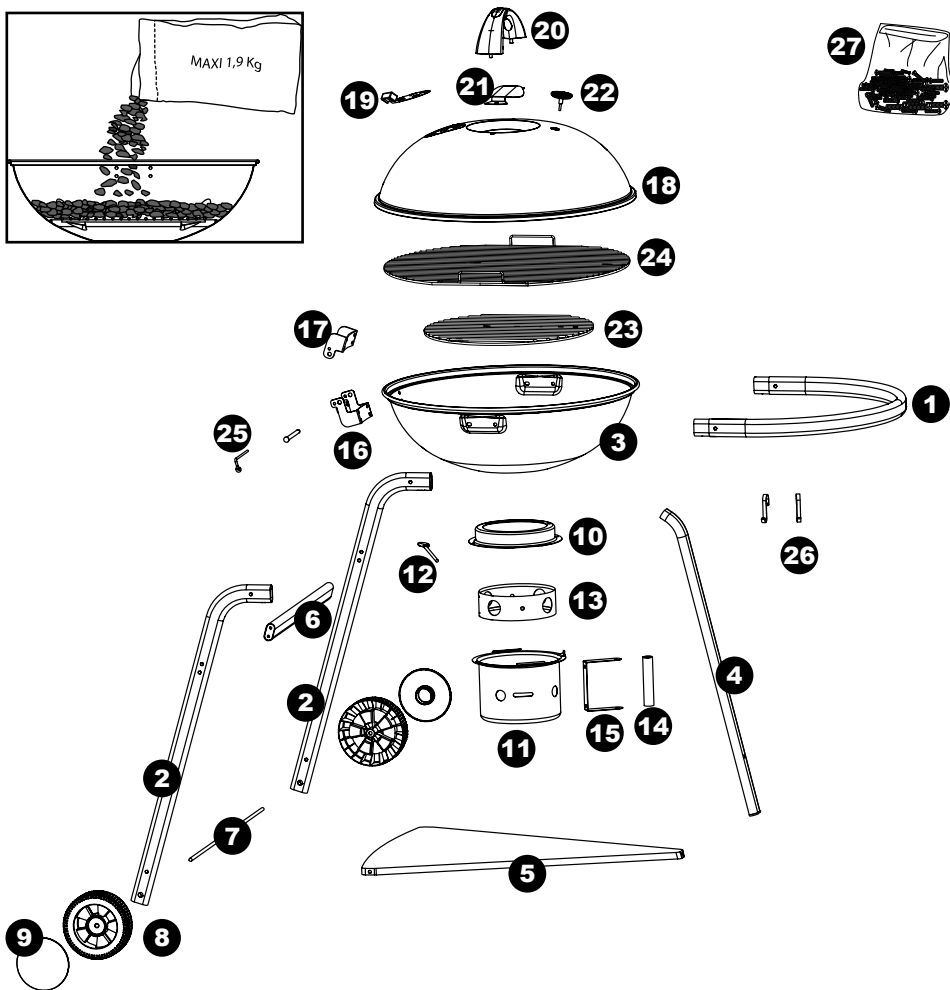
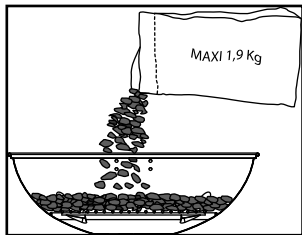




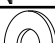







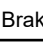






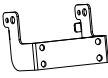

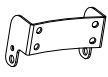



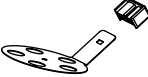

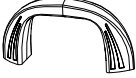

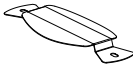


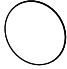


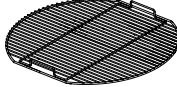

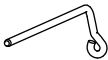
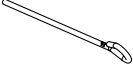
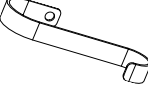
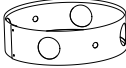


TOM 317570i NF





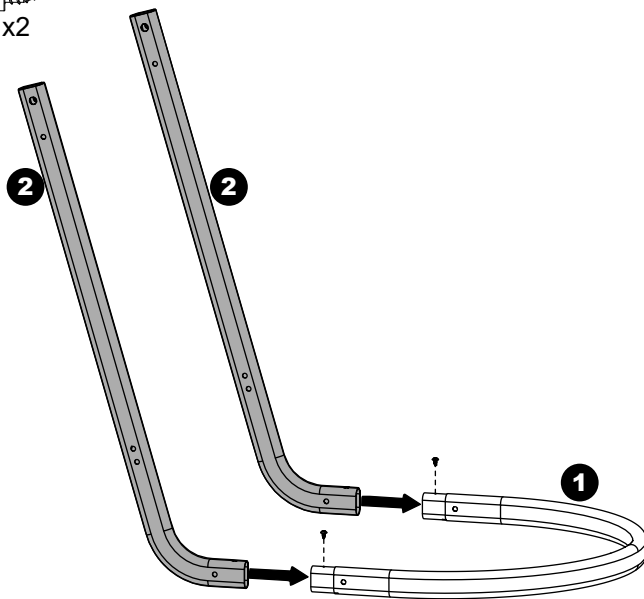
	Ø 3,5x9,5	2
	Ø 4 x 12	1
	Ø 6 x 30	11
	Ø 6 x 12	17
	Ø 8	1
	Ø 6	24
	Ø 4	1

 fibre	Ø 6	14
 fibre	Ø 4	1
	Ø 8	2
	Ø 6	23
 Brake nut	Ø 4	1
	Ø 8	1
	Ø 8	1

1		x 1	15		x 1
2		x 2	16		x 1
3		x 1	17		x 1
4		x 1	18		x 1
5		x 1	19		x 1
6		x 1	20		x 1
7		x 1	21		x 1
8		x 2	22		x 1
9		x 2	23		x 1
10		x 1	24		x 1
11		x 1	25		x 1
12		x 1	26		x 2
13		x 1	27		x 1
14		x 1			

1

Ø3,5x9,5


 x2
**2**

Ø6x30

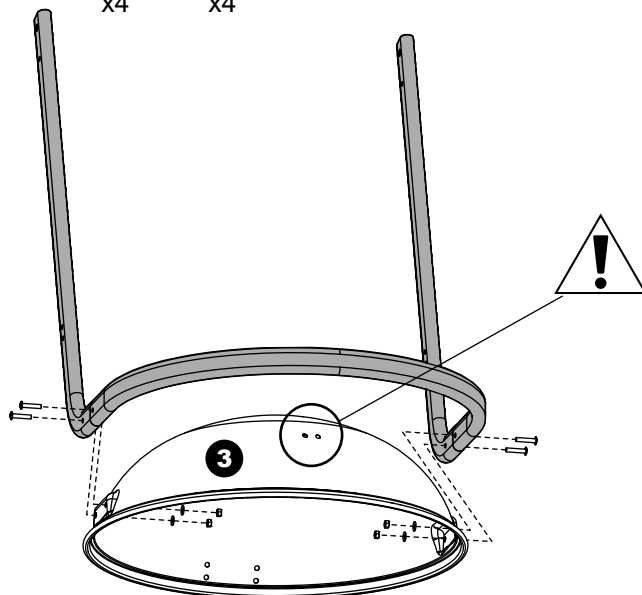
x4

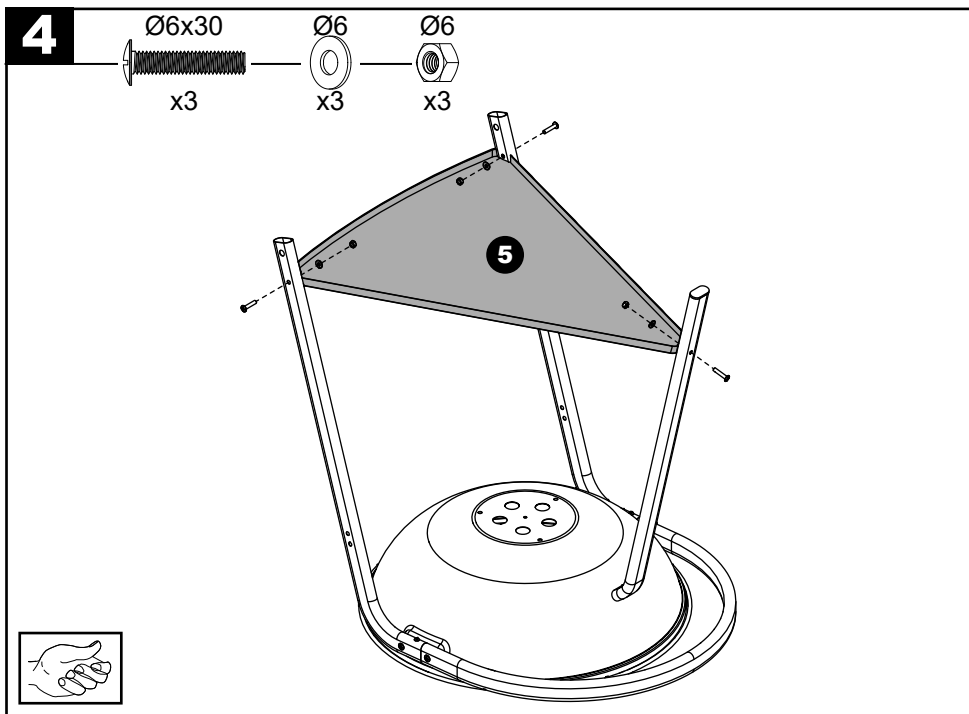
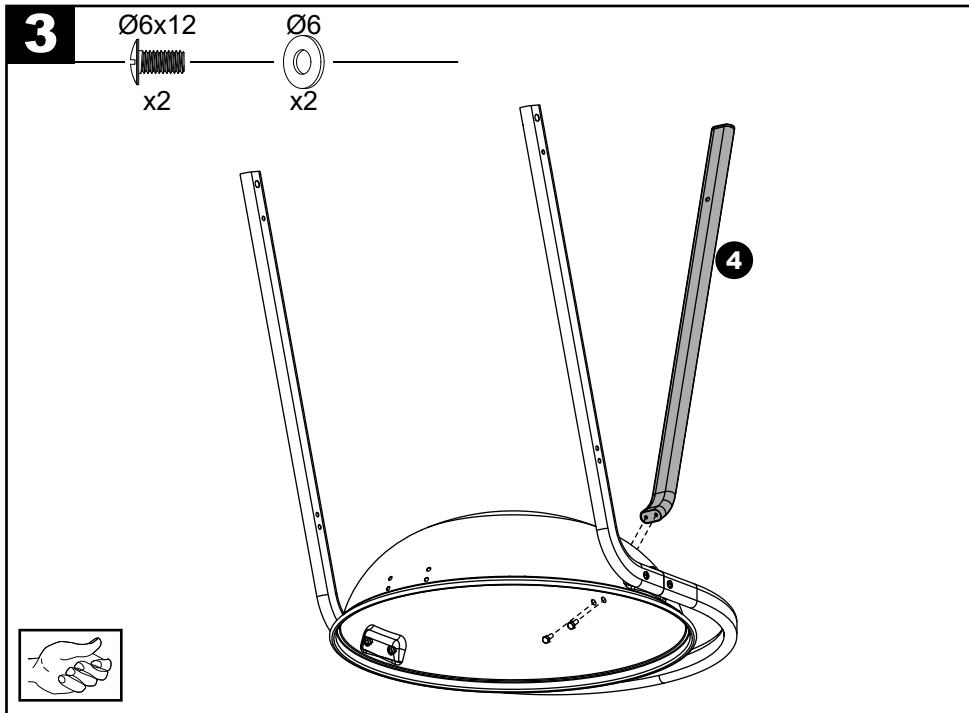
Ø6

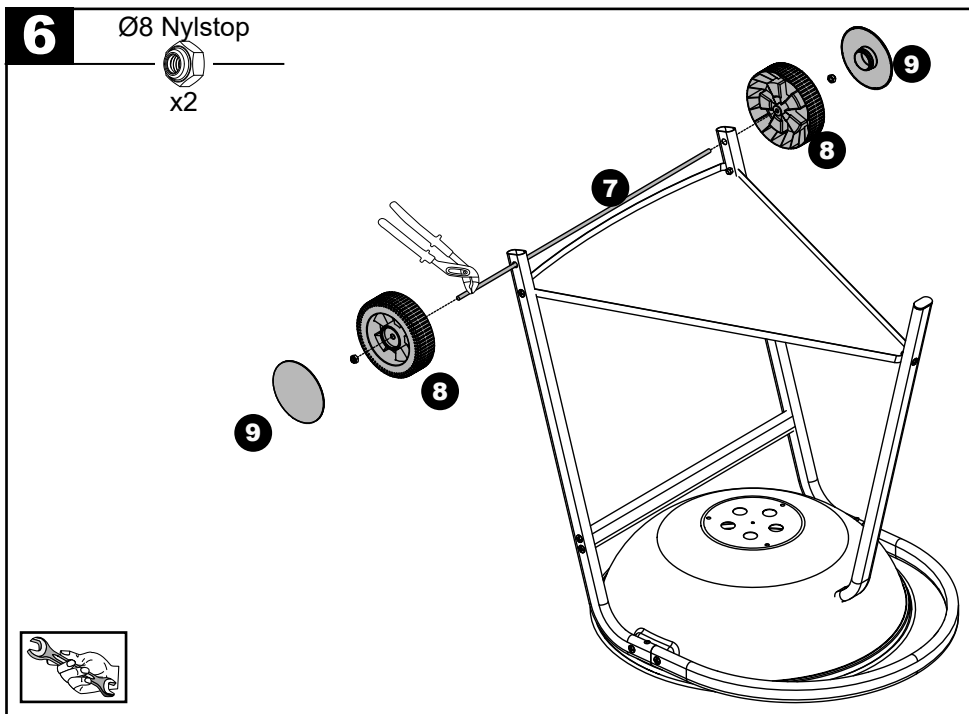
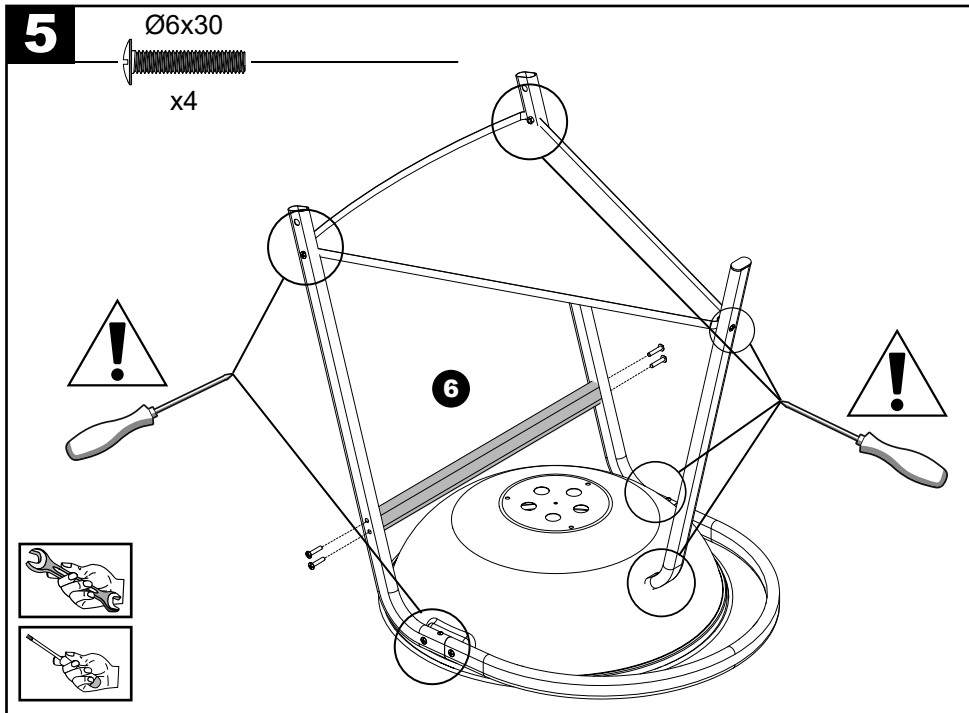
x4

Ø6

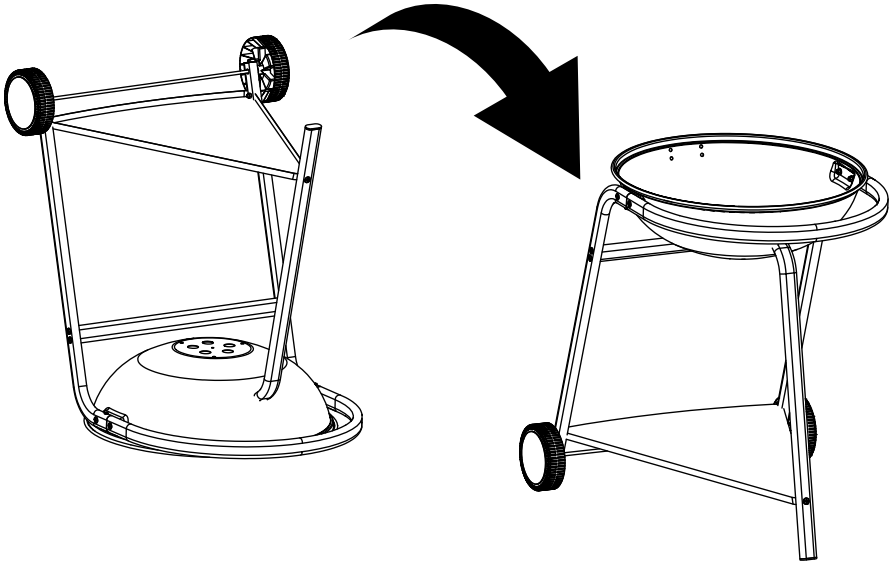
x4







7



8

Ø6x12

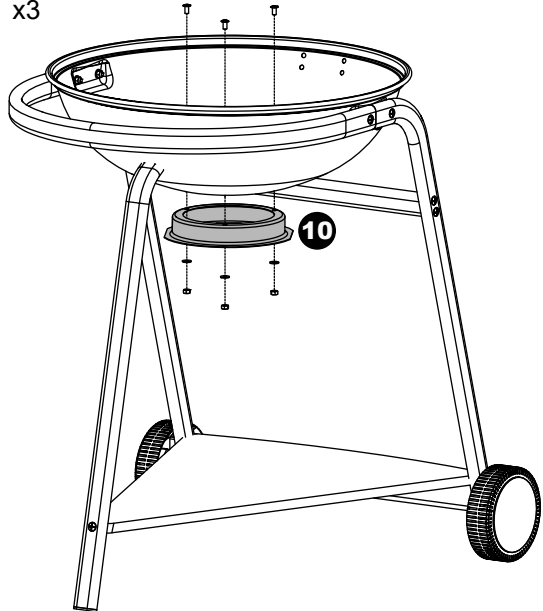
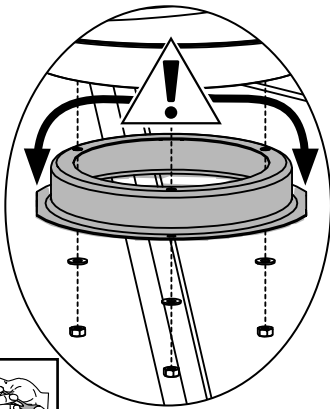
Ø6

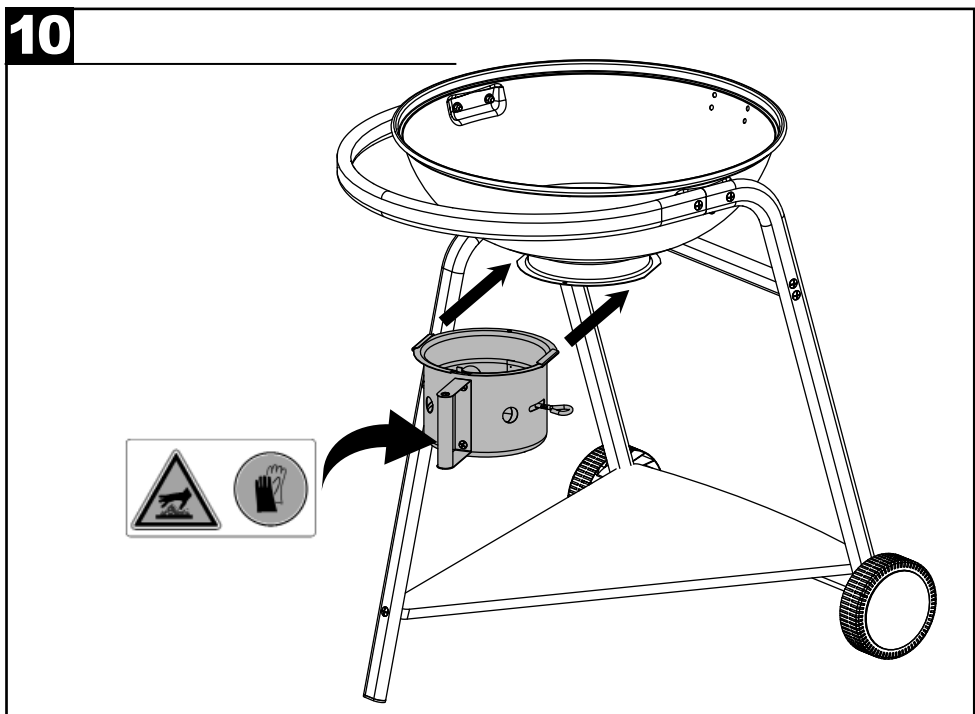
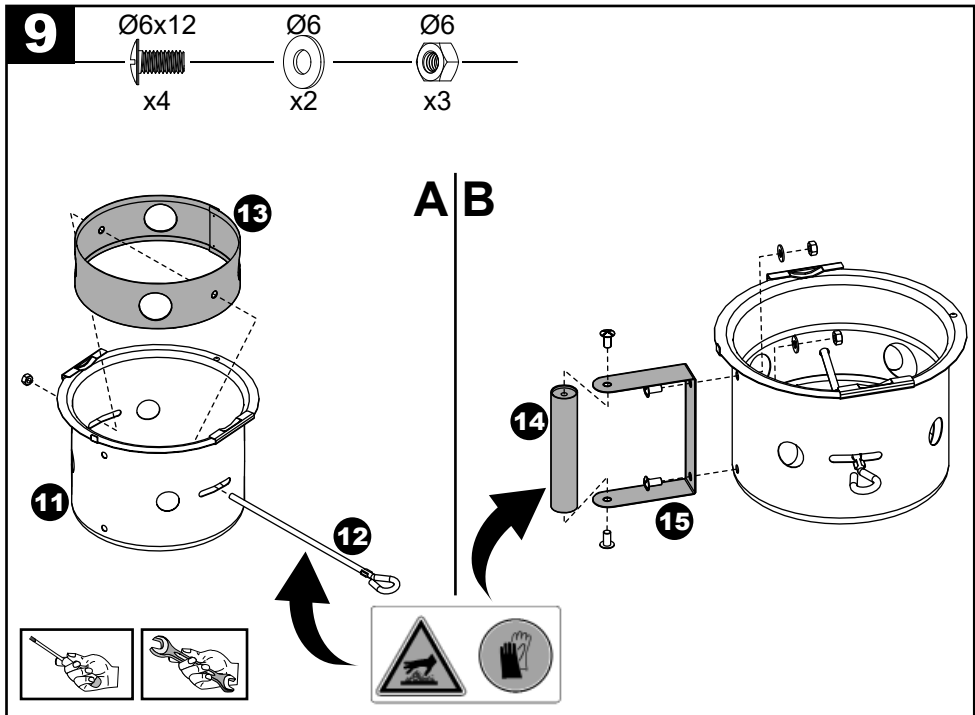
Ø6

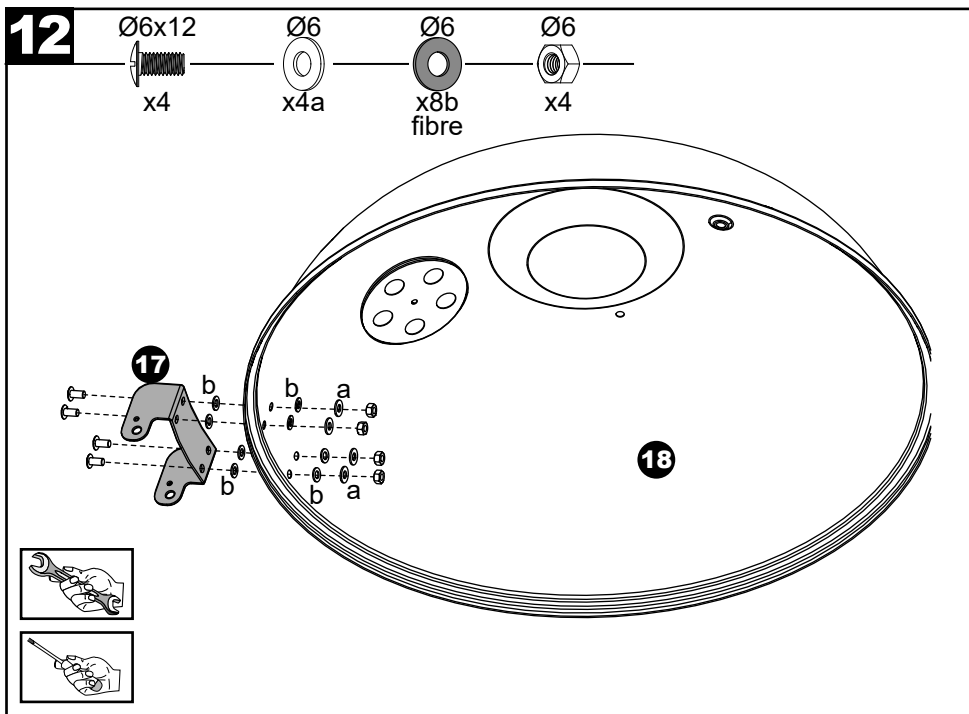
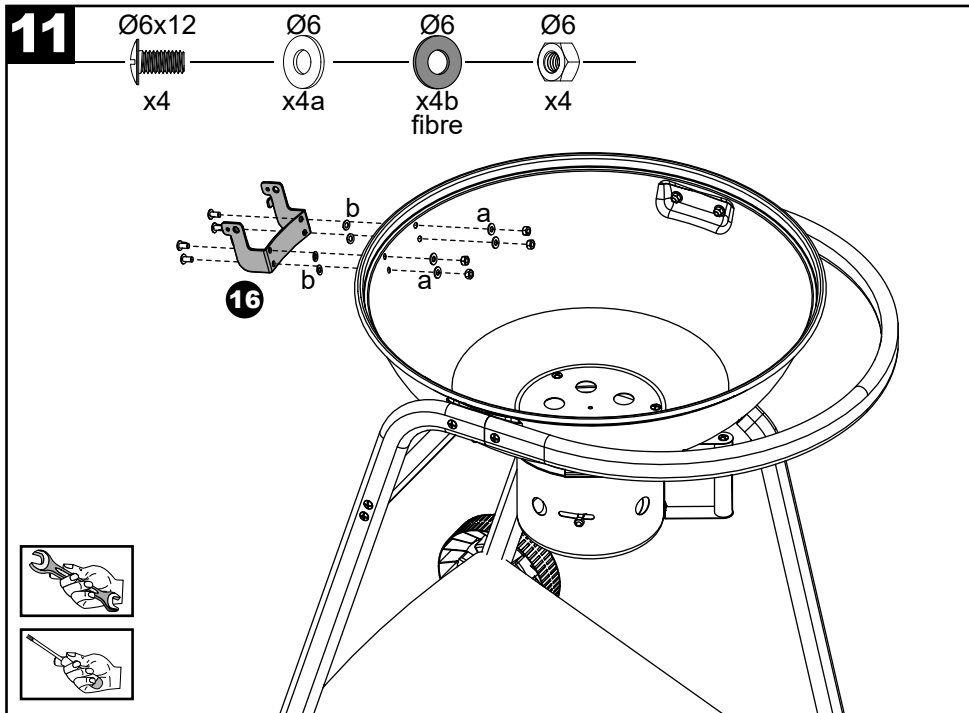
x3

x3

x3



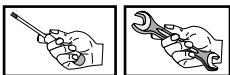
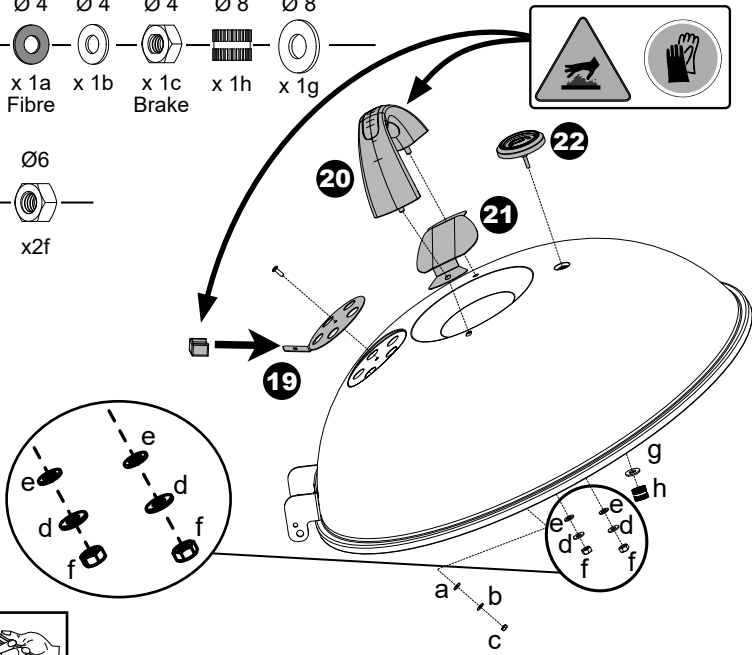




13

- Ø4x12 x 1
- Ø 4 x 1a
Fibre
- Ø 4 x 1b
- Ø 4 x 1c
Brake
- Ø 8 x 1h
- Ø 8 x 1g

- Ø 6 x 2e
Fibre
- Ø 6 x 2d
- Ø 6 x 2f



14

- Ø8 x 1

