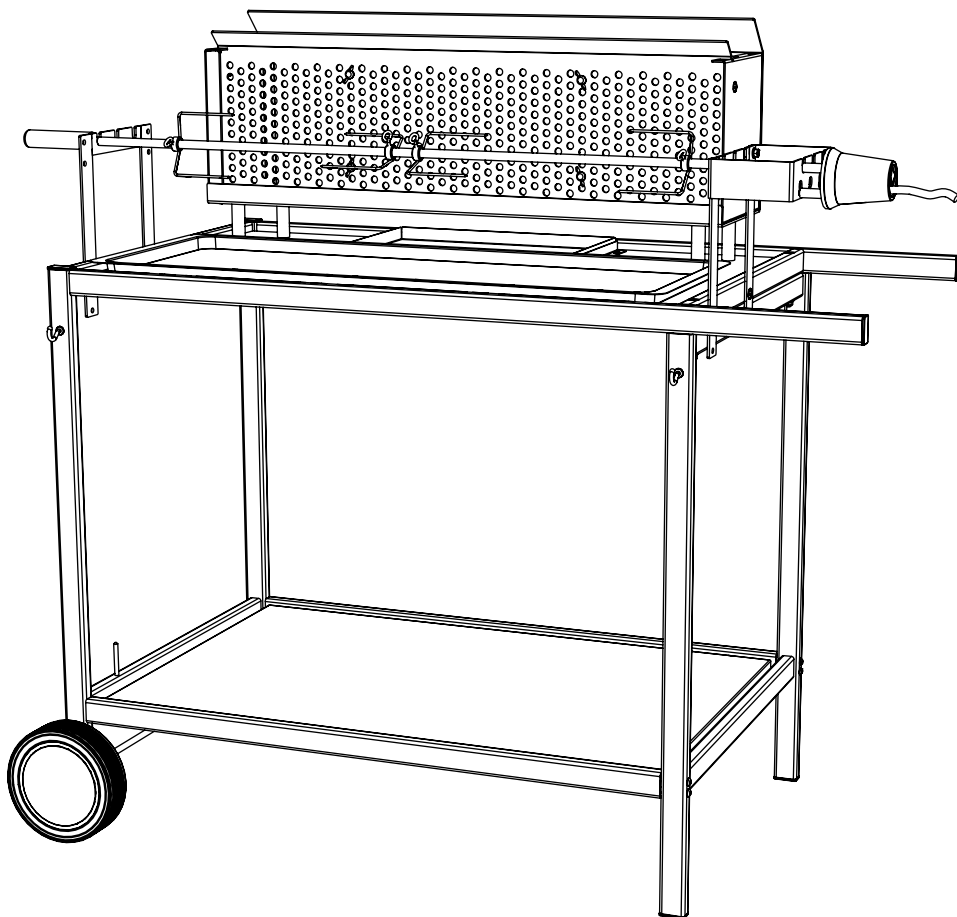


# TOM 308070i NF

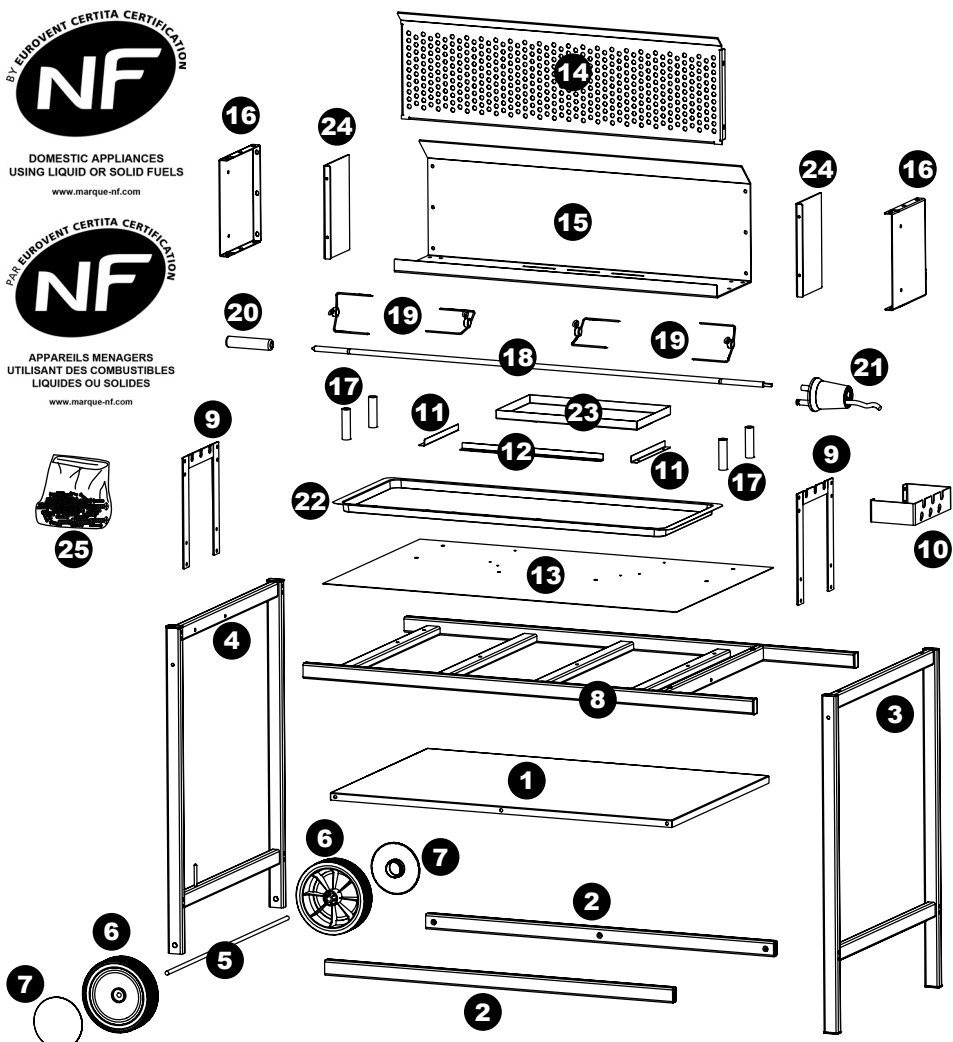




DOMESTIC APPLIANCES  
USING LIQUID OR SOLID FUELS  
www.marque-nf.com

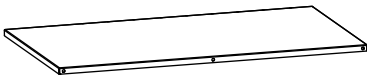
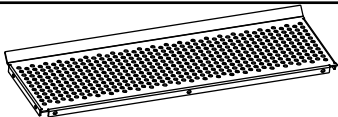

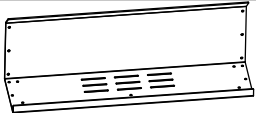
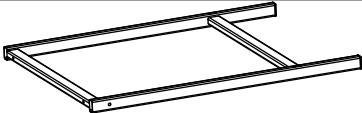
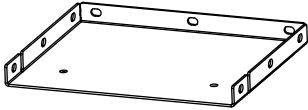
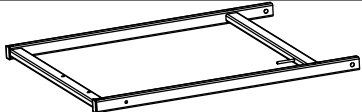




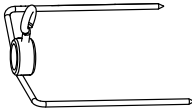
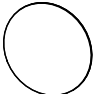

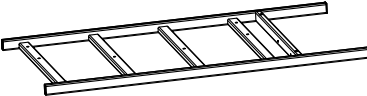
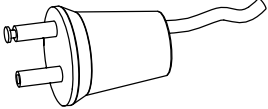
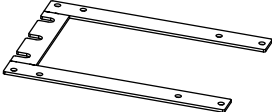

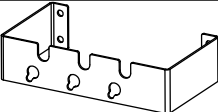


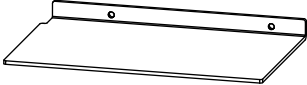


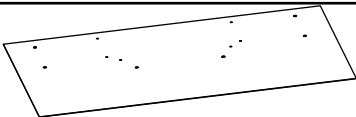


APPAREILS MENAGERS  
UTILISANT DES COMBUSTIBLES  
LIQUIDES OU SOLIDES  
www.marque-nf.com



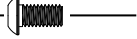
			Ø8x20	2	
			Ø6x110	4	
	Ø6x70	2		Ø6	39
	Ø6x45	12		Ø4	6
	Ø6x30	6		Ø6	37
	Ø6x16	23		Ø4	6
	Ø6x12	6		Ø10	2
	Ø4x8	6			

	Ø6x25	2
	Ø6x12	4
	n°4	1

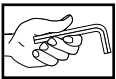
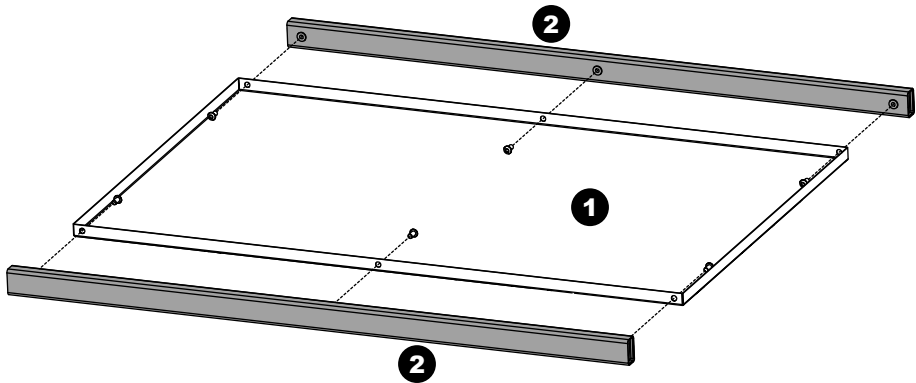
<b>1</b>		x1	<b>14</b>		x1
<b>2</b>		x2	<b>15</b>		x1
<b>3</b>		x1	<b>16</b>		x2
<b>4</b>		x1	<b>17</b>		x4
<b>5</b>		x1	<b>18</b>		x1
<b>6</b>		x2	<b>19</b>		x4
<b>7</b>		x2	<b>20</b>		x1
<b>8</b>		x1	<b>21</b>		x1
<b>9</b>		x2	<b>22</b>		x1
<b>10</b>		x1	<b>23</b>		x1
<b>11</b>		x2	<b>24</b>		x2
<b>12</b>		x1	<b>25</b>		x1
<b>13</b>		x1			

**1**

Ø6x12



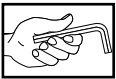
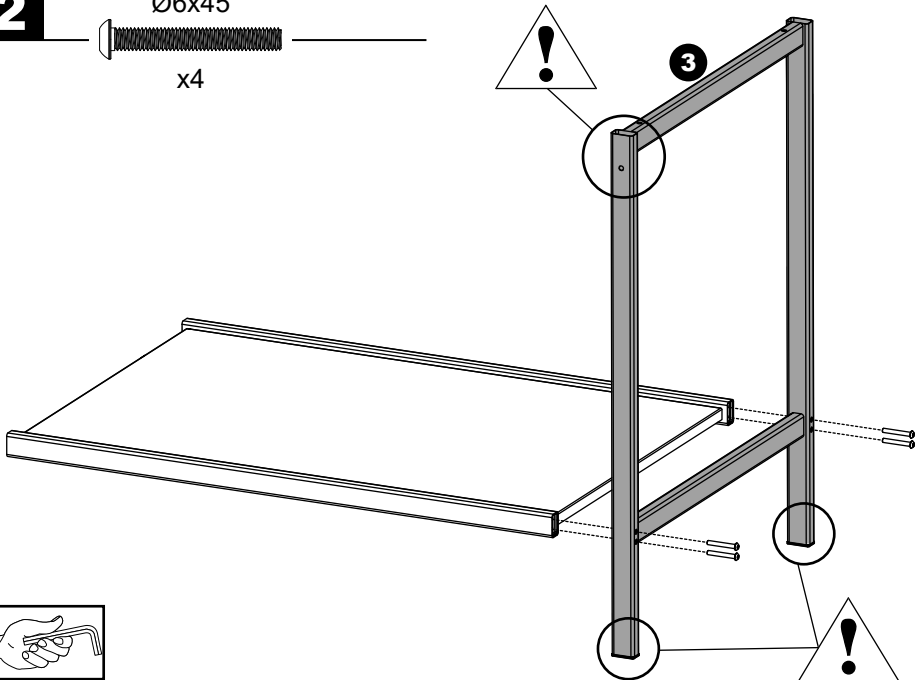
x6

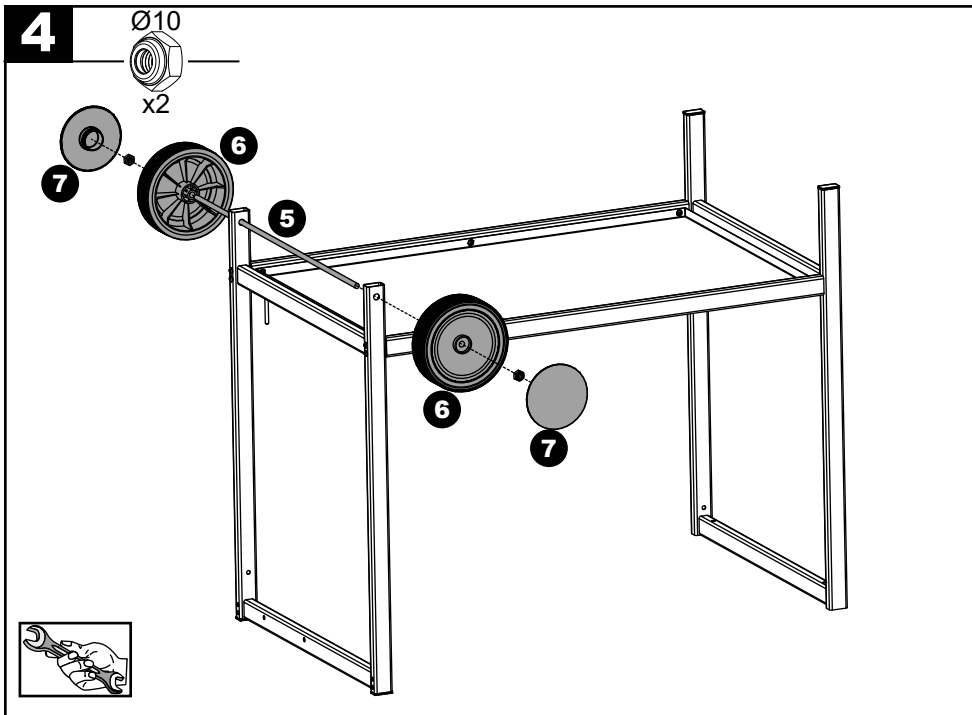
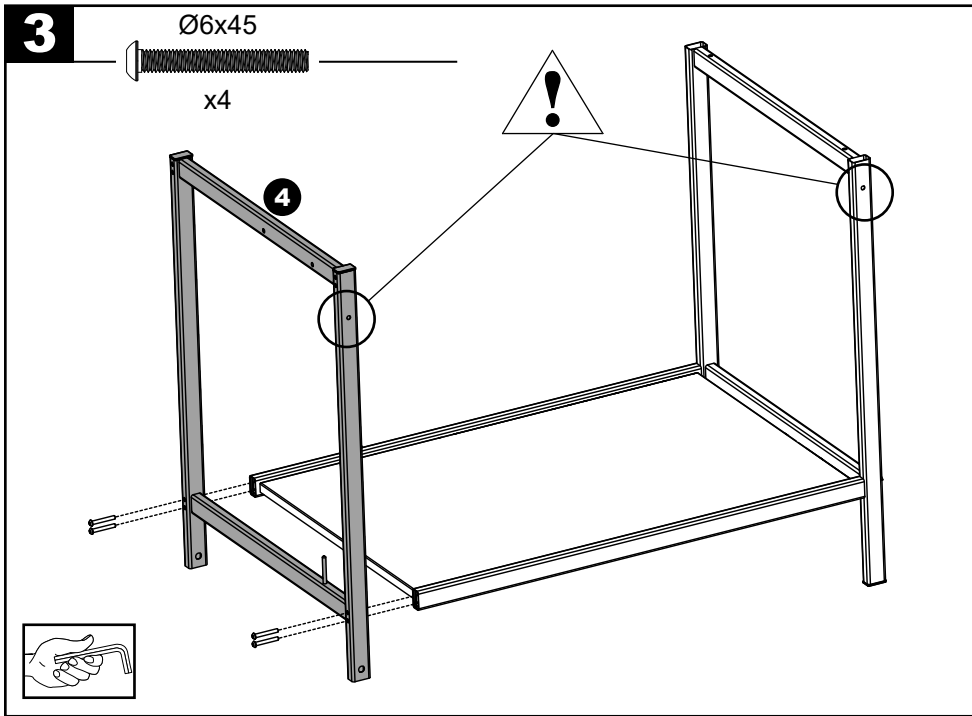
**2**

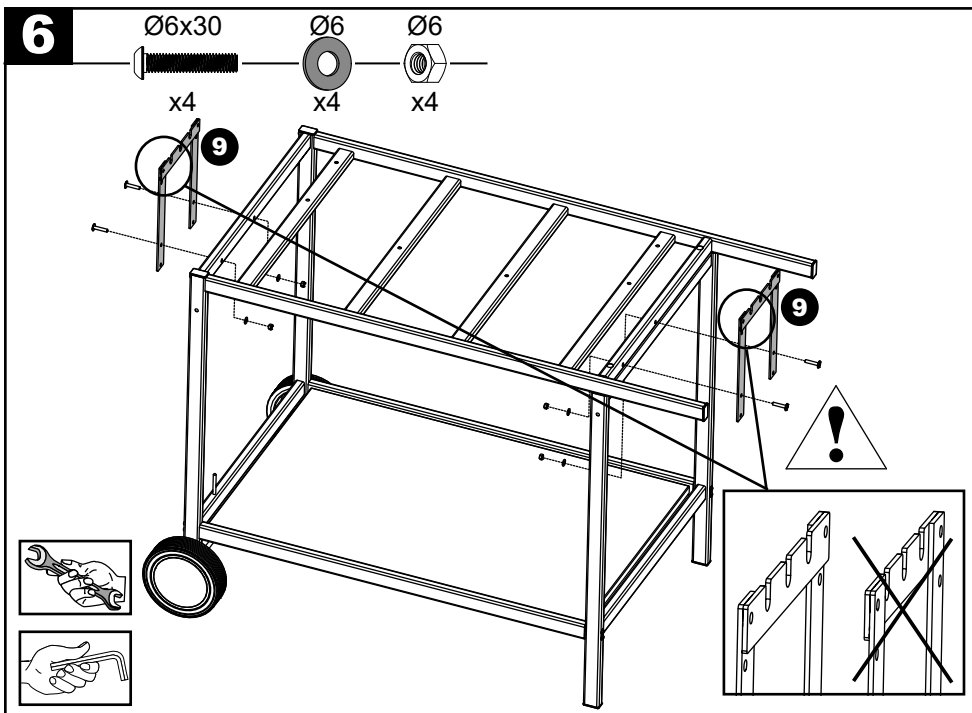
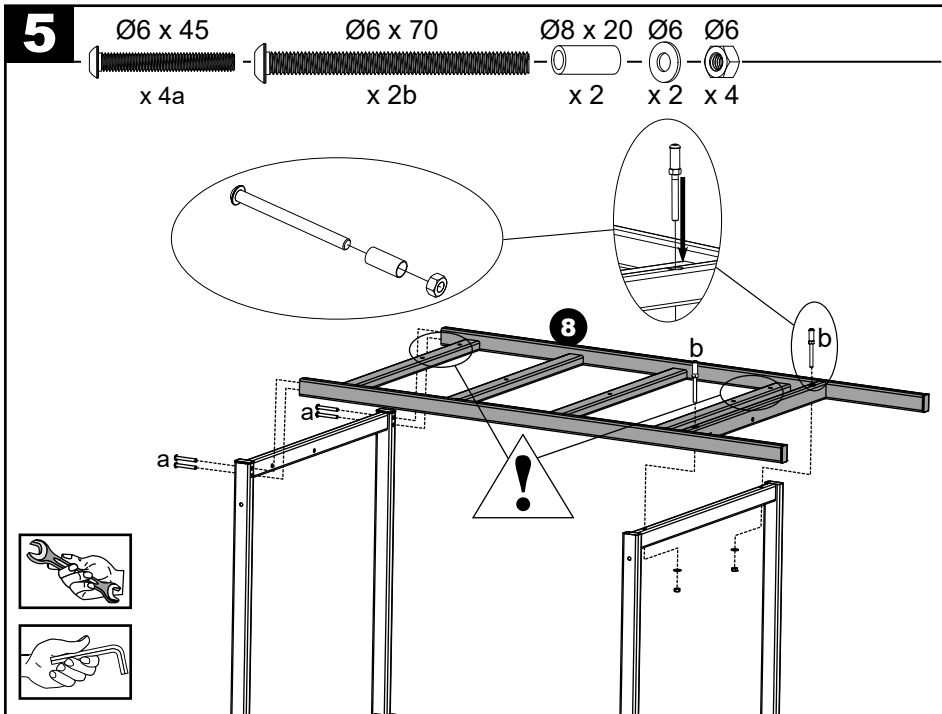
Ø6x45

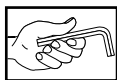
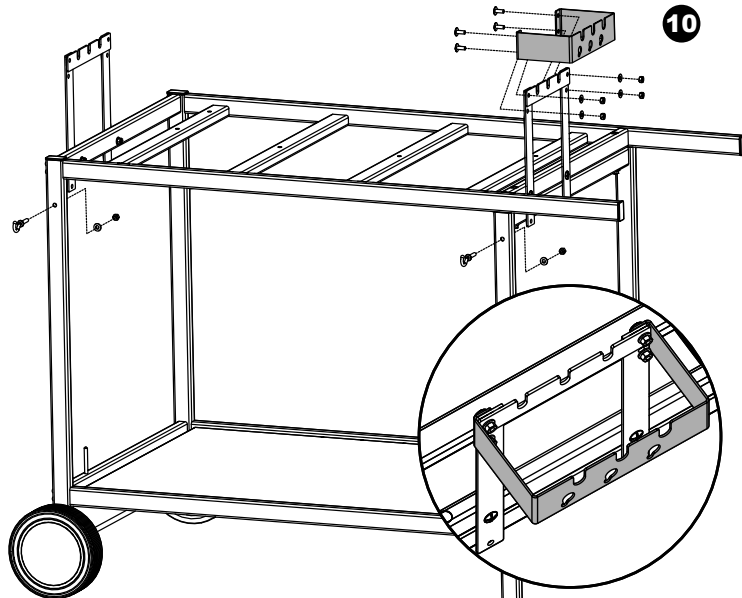
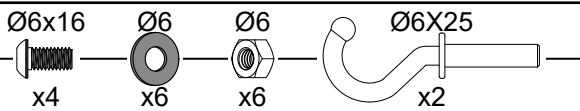
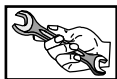
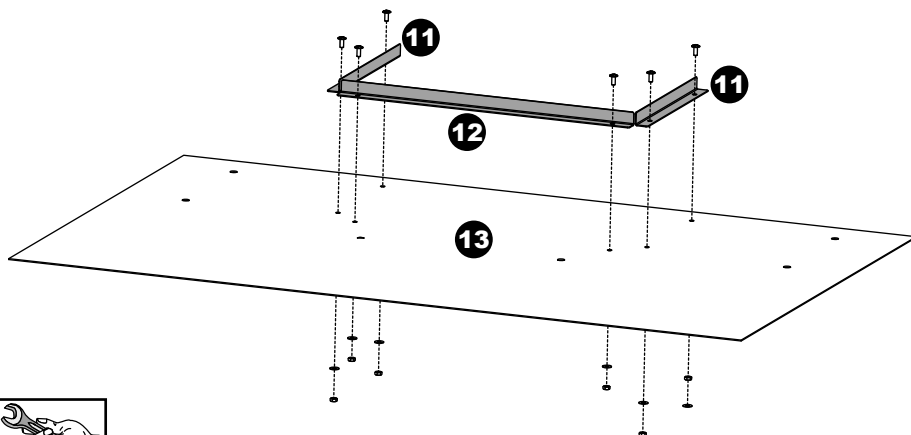
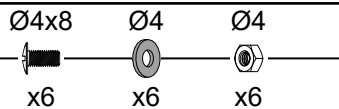


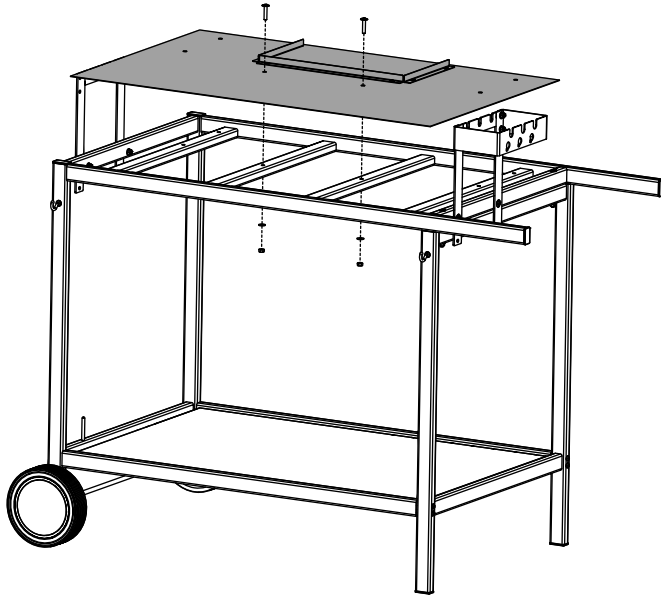
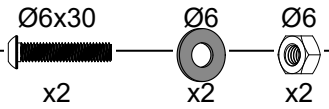
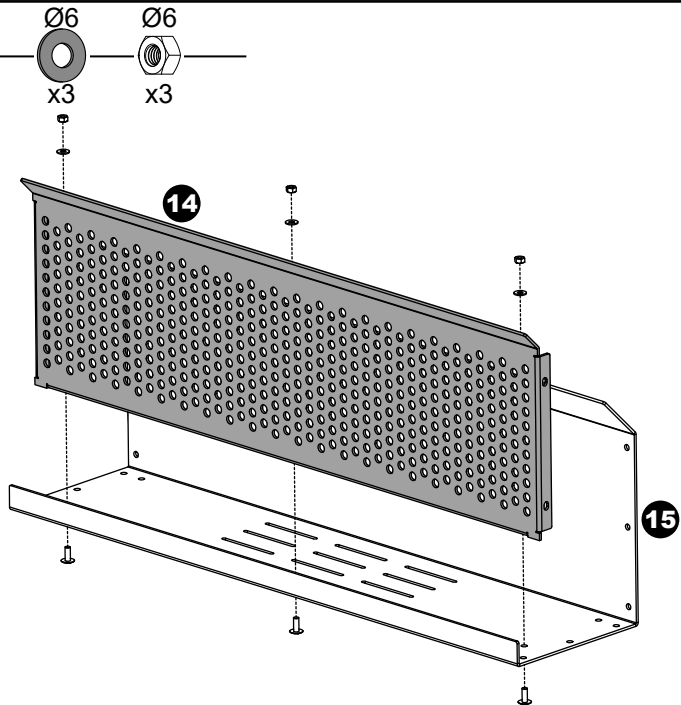
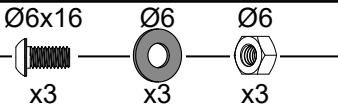
x4







**7****8**

**9****10**



**11**

Ø6x16



x8

Ø6

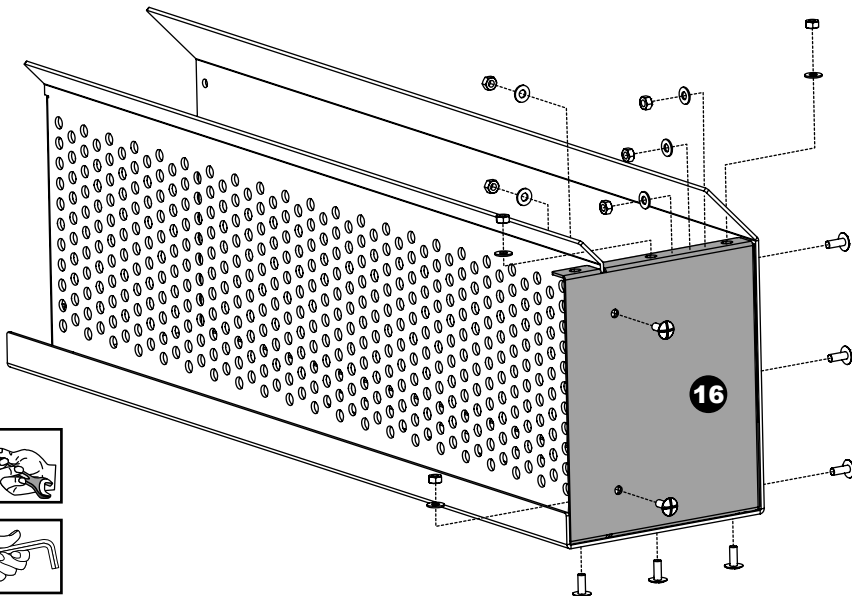


x8

Ø6



x8

**12**

Ø6x16



x8

Ø6

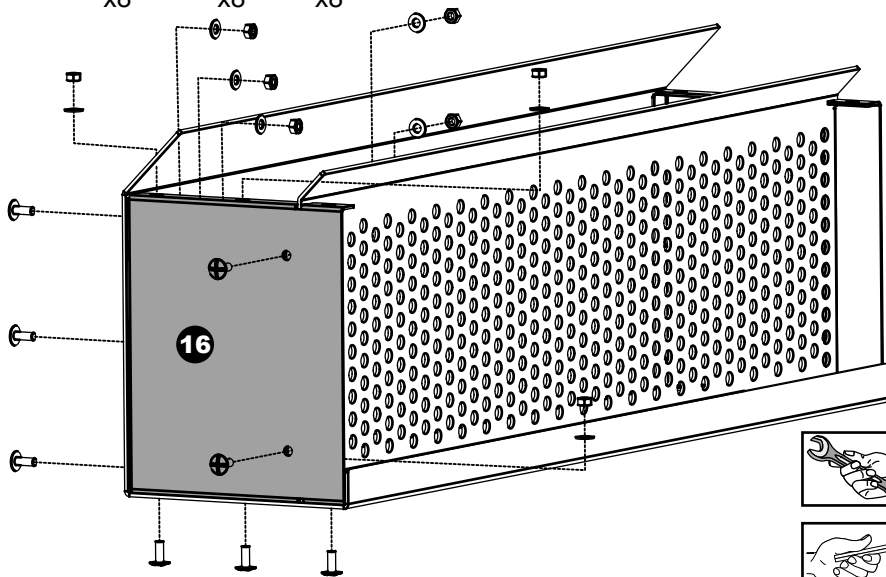


x8

Ø6



x8



**13**

Ø6x110

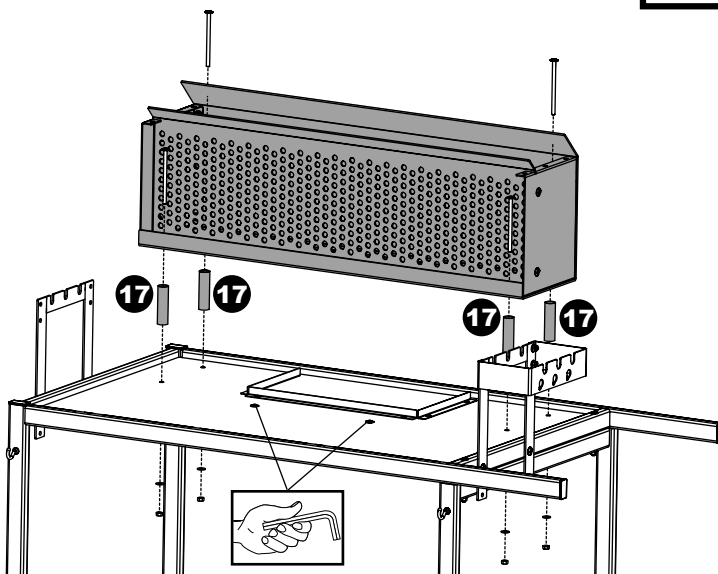
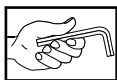
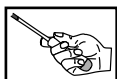
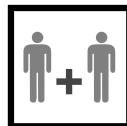
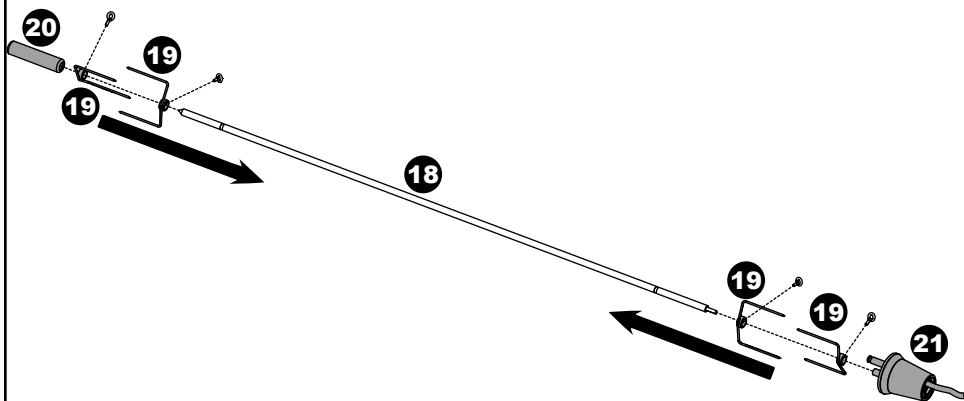
Ø6

Ø6

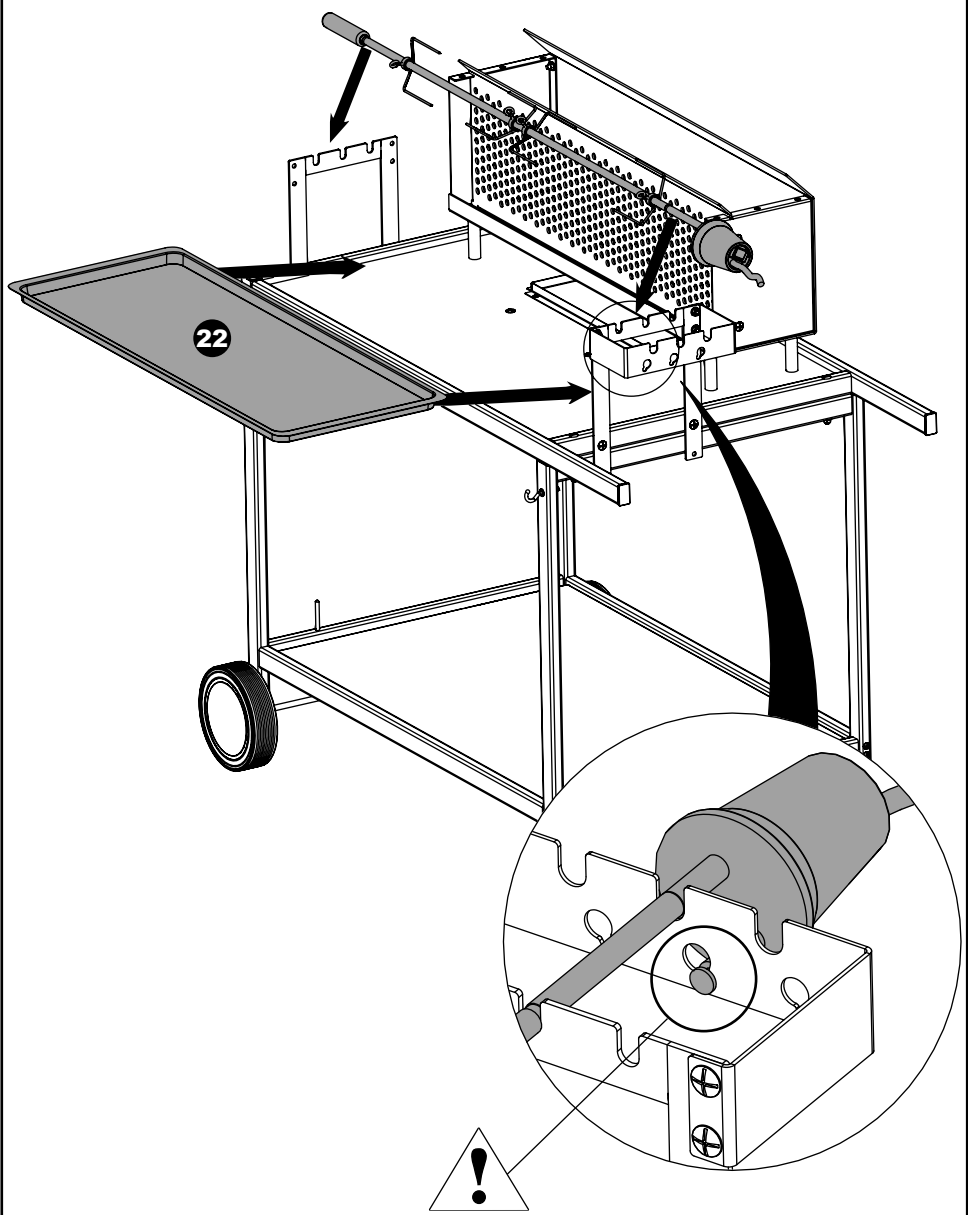
x4

x4

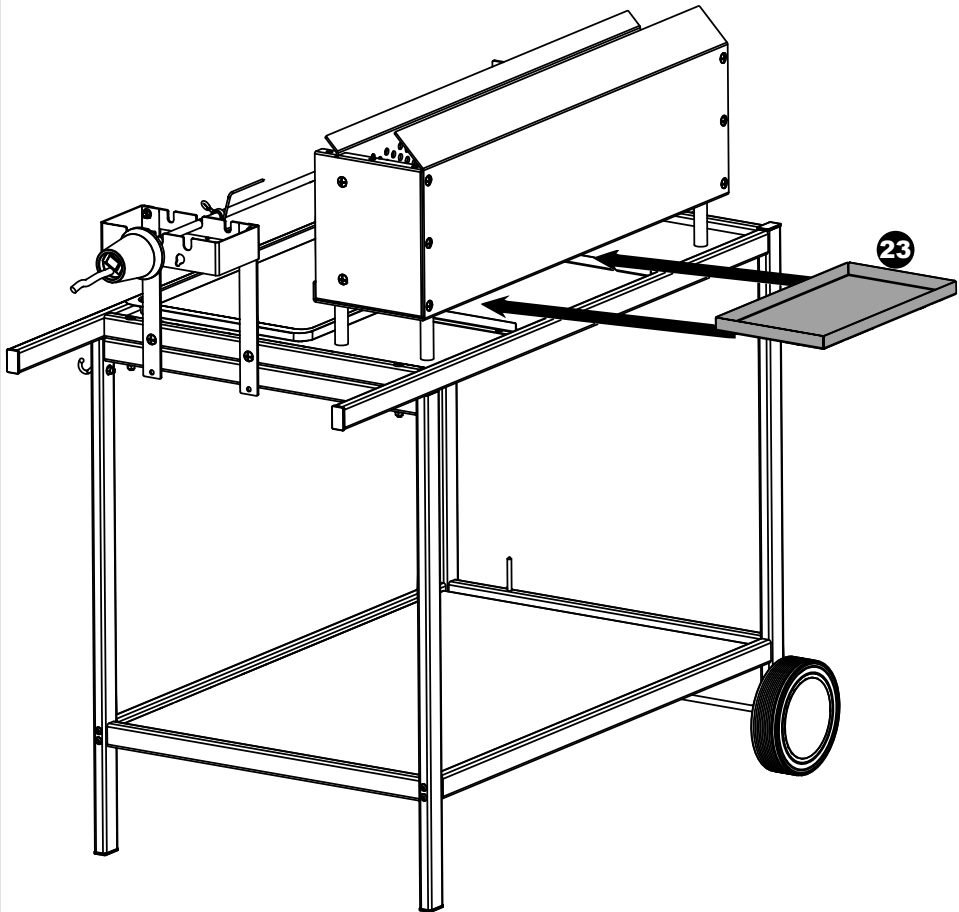
x4

**14**

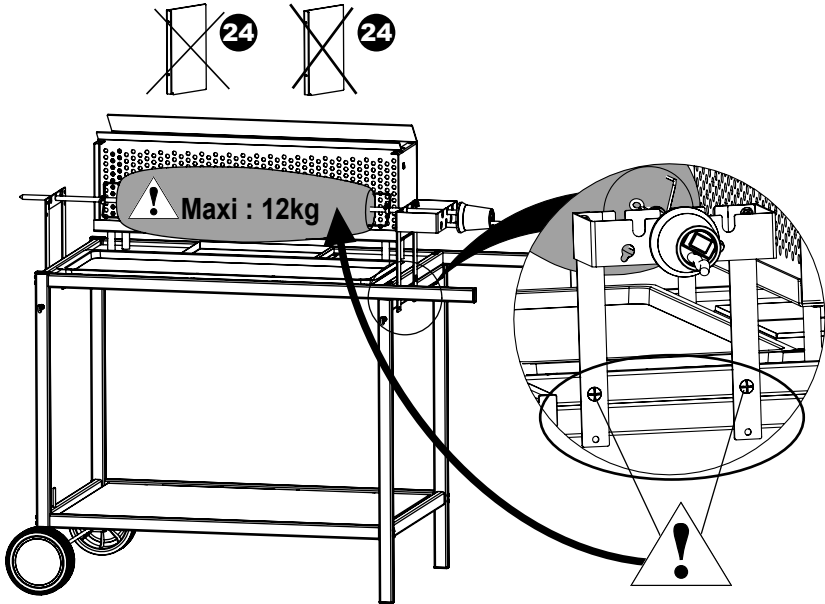
**15**



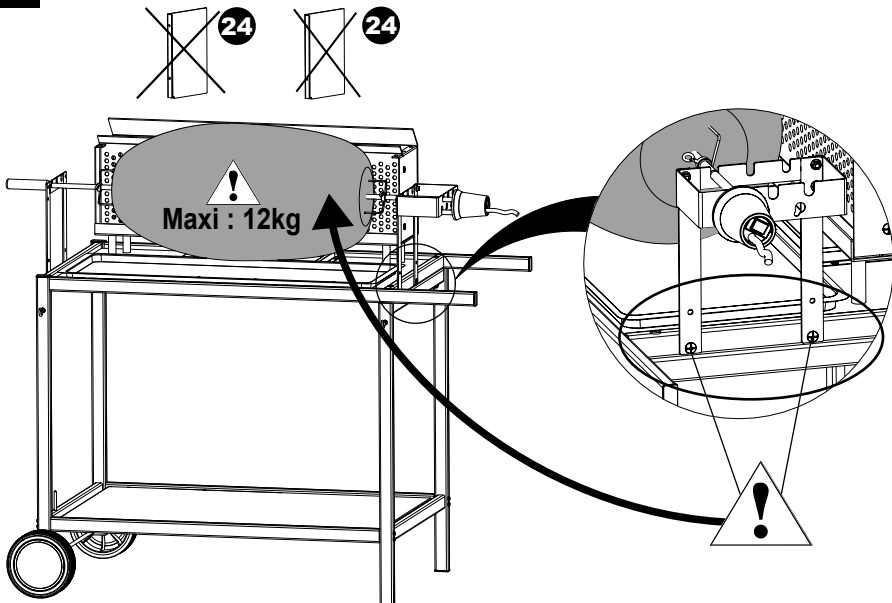
**16**



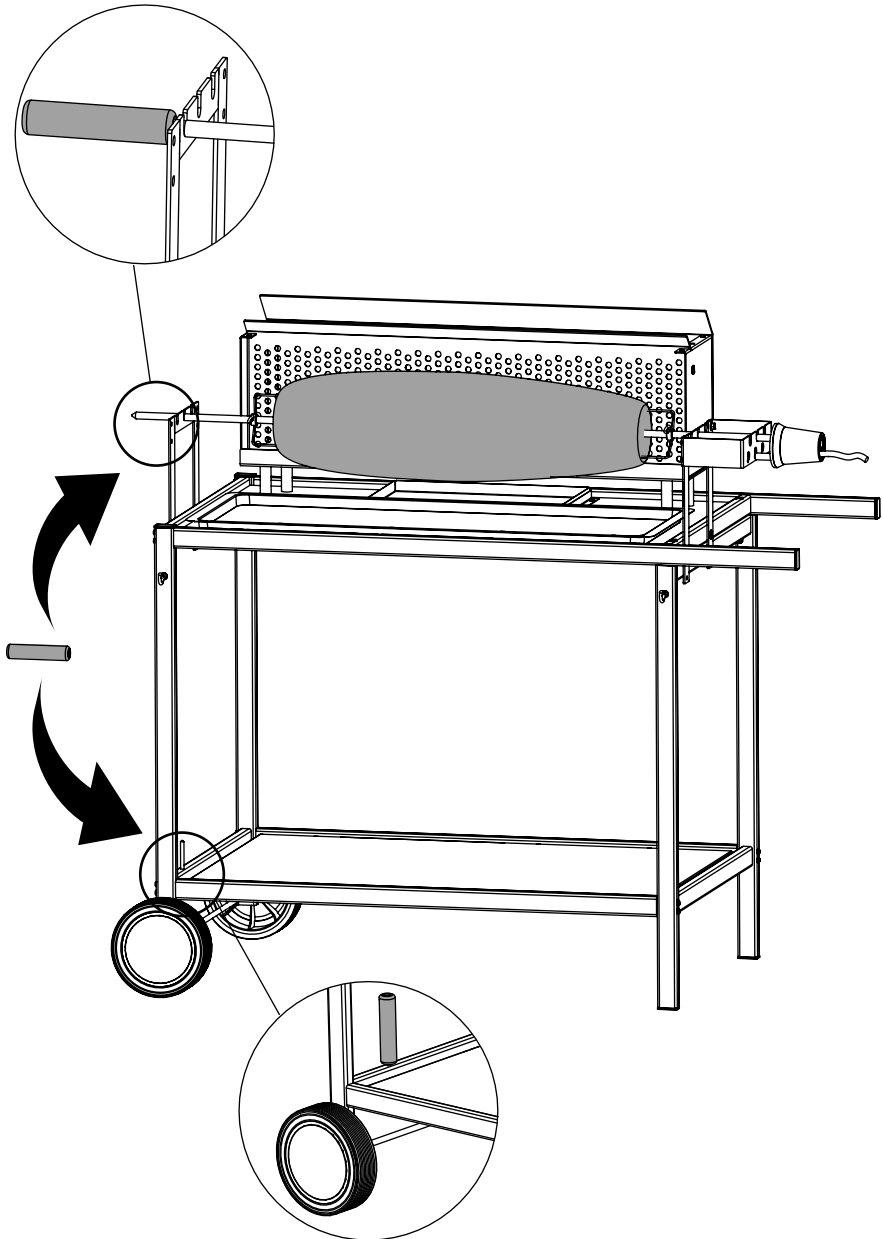
**17**



**18**

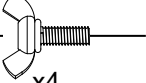


19



20

Ø6x12



x4

