

NAKAYAMA®

GARDEN TOOLS EXPERT



PC4600 – **PC5600** – **PC6700**

029069

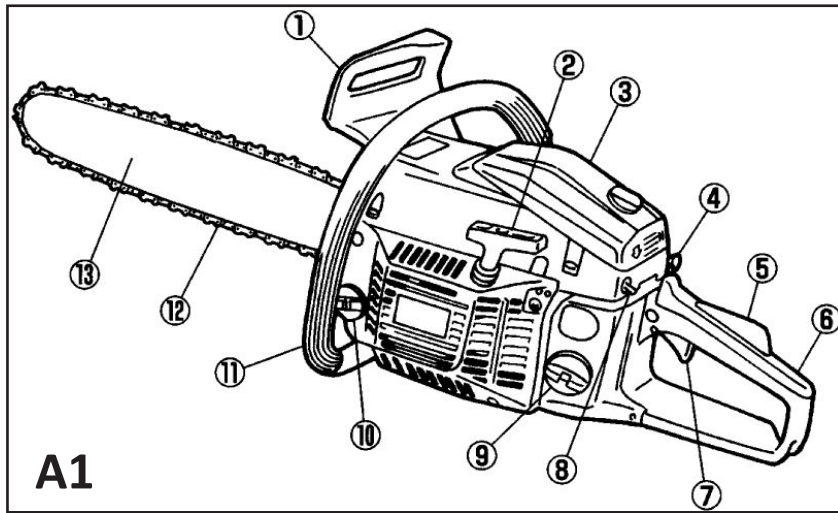
029076

029083

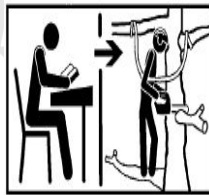
EN User Manual

EL Οδηγίες Χρήσης

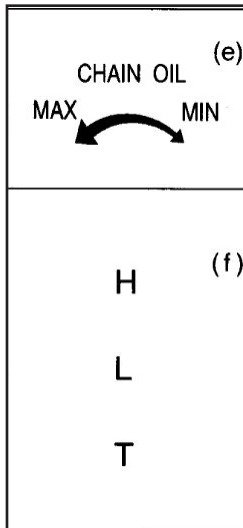
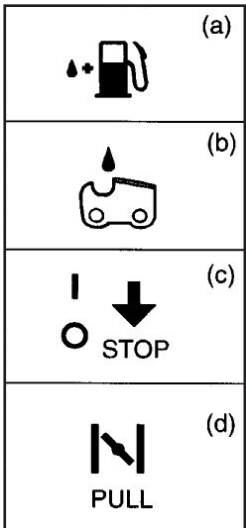
v2.1



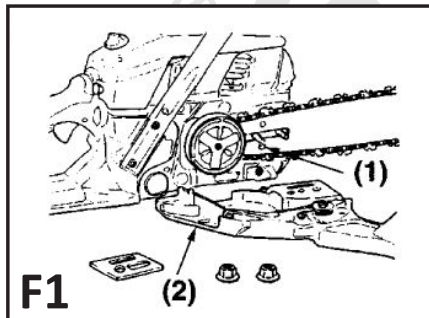
A1



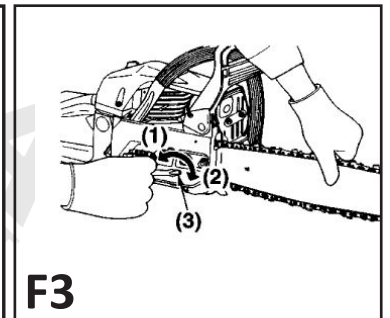
A2



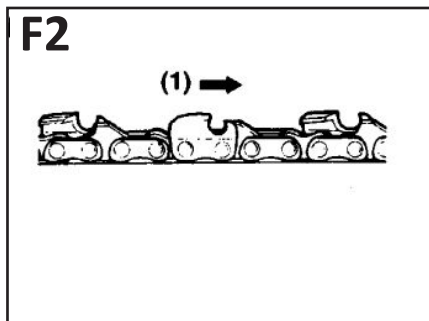
A3



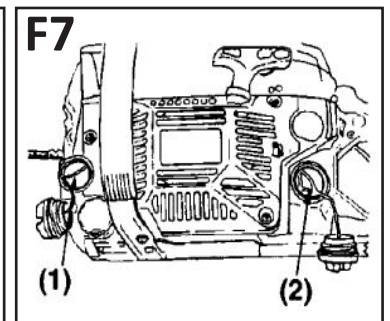
F1



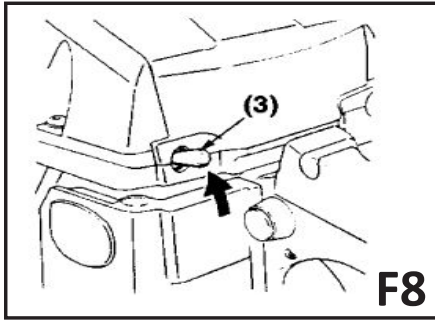
F3



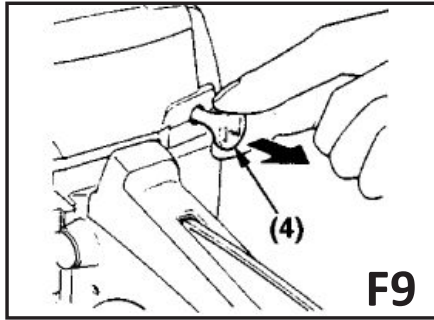
F2



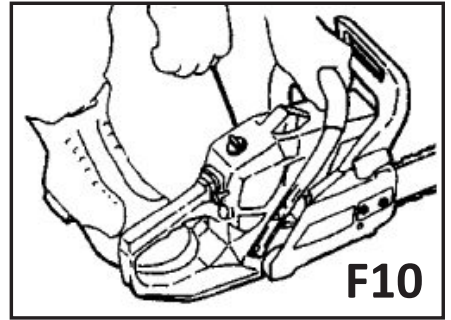
F7



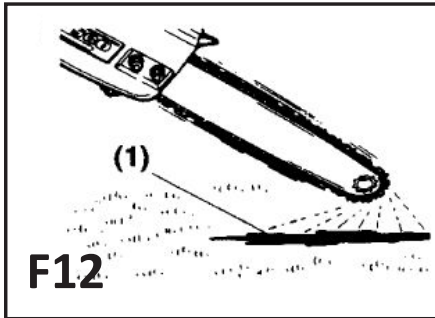
F8



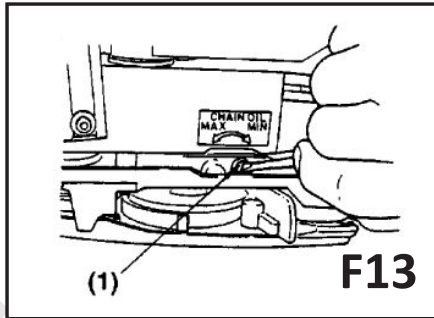
F9



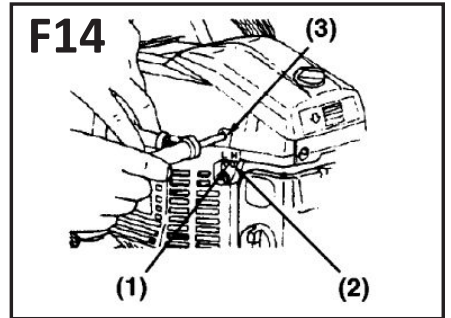
F10



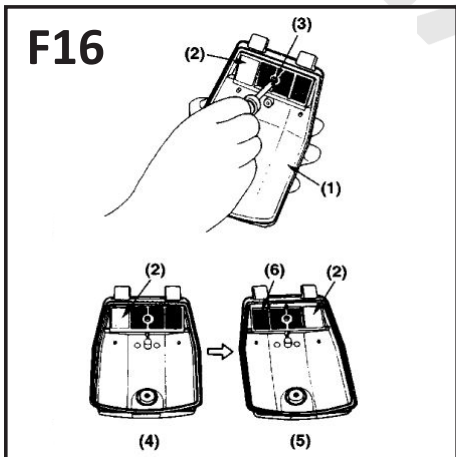
F12



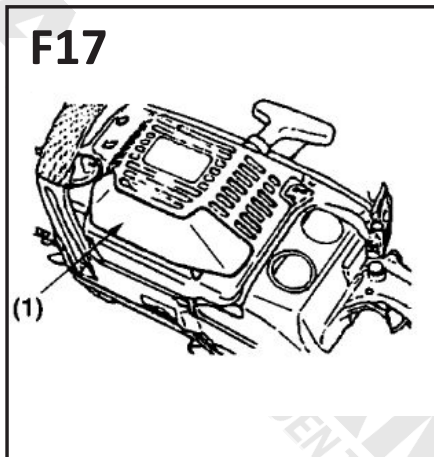
F13



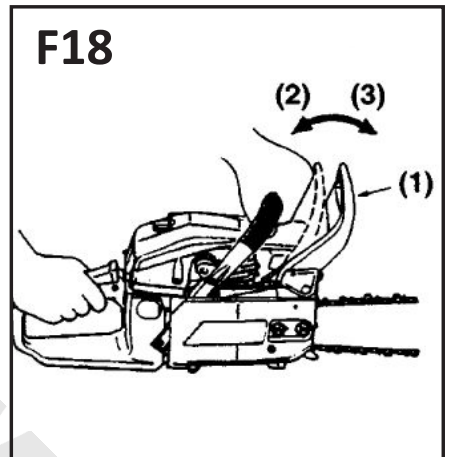
F14



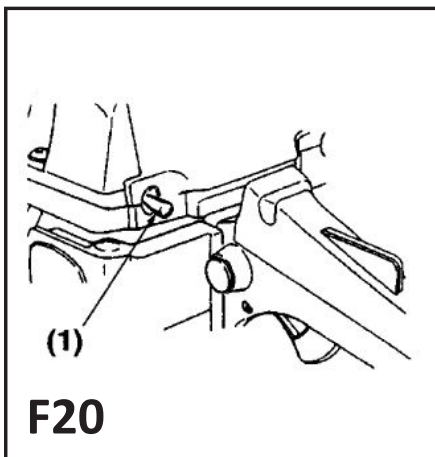
F16



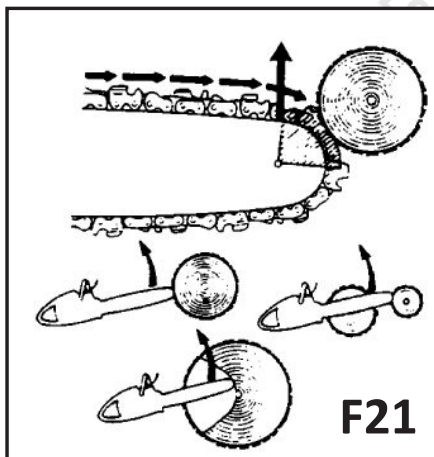
F17



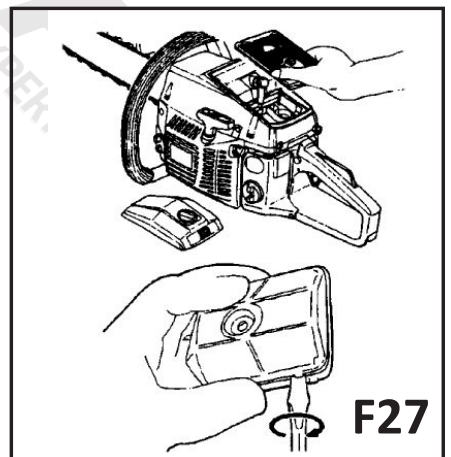
F18



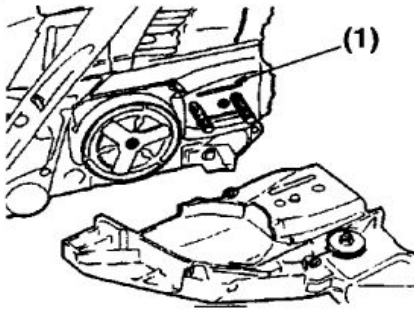
F20



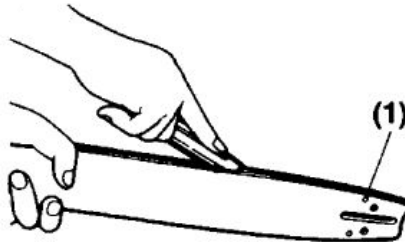
F21



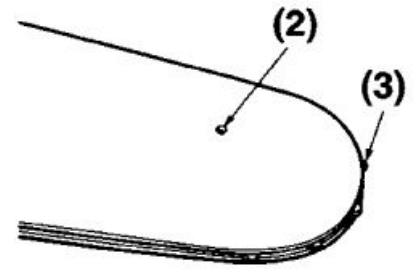
F27



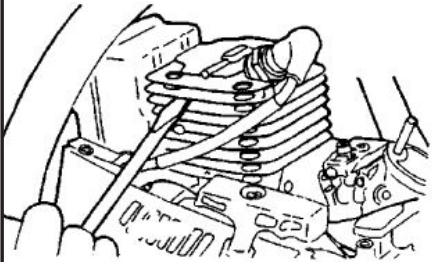
F28



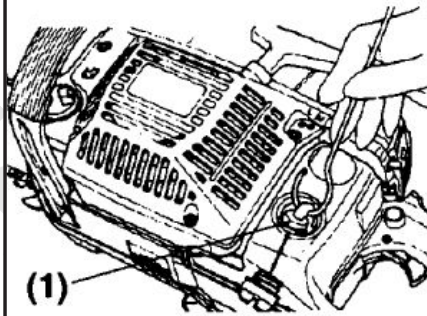
F29



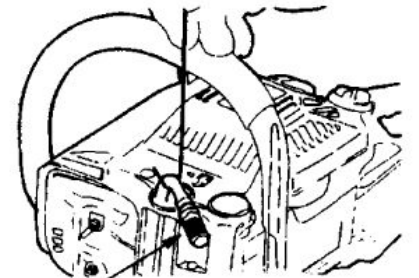
F30



F31



F32



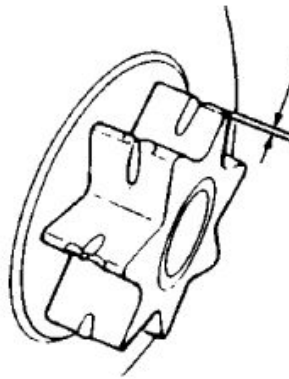
F33

0.6-0.7mm

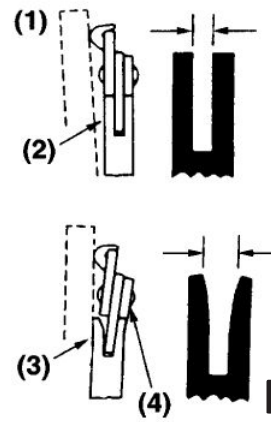


F34

0.5mm



F35



F39

CAUTION: Before using the chain saw, please read this manual carefully to understand the proper use of your unit. Keep this manual handy.

Safety First

Instructions contained in warnings must be taken into consideration to prevent possible serious bodily injury ,and for this reason you are requested to read all such instructions carefully and follow them without fail.

Instructions contained in warnings within this manual marked with a symbol concern critical points which must be taken into consideration to prevent possible serious bodily injury ,and for this reason you are requested to read all such instructions carefully and follow them without fail.

Main parts (A1)

- | | |
|-----------------------|-------------------|
| 1. Front guard | 7. Throttle lever |
| 2. Starter knob | 8. Engine switch |
| 3. Air cleaner | 9. Fuel tank |
| 4. Choke knob | 10. Oil tank |
| 5. Throttle interlock | 11. Left handle |
| 6. Right handle | 12. Saw chain |
| | 13. Guide bar |

Warning Labels on the machine (A2)

From left to right:
 Read owner's manual before operating this machine.
 Wear head,eye and ear protection.
 Use the chain saw with two hands.
 Warning ! Kickback it's danger.
 Warning/Attention.
 Never touch hot surface.
 Use appropriate protections for foot-leg and hand-arm.
 This saw is for trained tree service operators only .

Important: If warning stickers peel off or become soiled and impossible to read ,you should contact the dealer from which you purchased the product to order new seals and affix the new seal(s) in the required location(s).

Warning: Never remodel the product. We won't warrant the machine , if you use the remodeled product or you don't observe the proper usage written in the manual .

Symbols on the machine (A3)

For safe operation and maintenance symbols are carved in relief on the machine.

- The port to refuel the "MIX GASOLINE".
Position : Fuel take cap.
- The port to refuel the "CHAIN OIL".
Position : Oil cap.
- The indication regarding the switch.
Flipping the engine switch to the "O" (STOP) direction ,the engine stops. Position : rear-left or the unit.
- The indication regarding the choke.
Pulling out the choke knob, the choke closes.
Position : rear-right of the unit.
- The indication regarding the chain oil adjuster nut.
"MIN" direction –the oil flow decrease.
"MAX" direction – the oil flow increase.
Position : Bottom of the clutch side.
- The position of the H-needle.
The position of the L-needle.
The position of the idle adjusting screw.
Position :rear-left of the unit.

Safety Precautions

Before using the machine

- Read this owner's manual carefully to understand how to operate this unit properly.
- You should never use the product when under the influence of alcohol,when suffering from exhaustion or lack of sleep ,when suffering from drowsiness as a result of having taken cold medicine ,or at any other time when a possibility exists that your judgment might be impaired or that you might not be able to operate the machine properly and in a safe manner .
- Avoid running the engine indoors .The exhaust gases contain harmful carbon monoxide.
- Never use the product under circumstances like those described below :

1. When the ground is slippery or when other conditions exist which might make it not possible to maintain a steady posture .
2. At night ,at times of heavy fog ,or at any other times when you field of vision might be limited and it would be difficult to gain a clear view of the area.
3. During rain storms ,during lightning storms ,at times of strong or gale-force winds ,or at any other times when weather conditions might make it unsafe to use this product.
- e. When using this product for the first time ,before beginning actual work ,learn to handling it from skilled worker .
- f. Lack of sleep ,tiredness,or physical exhaustion results in lower attention spans ,and this in turn leads to accidents and injury. Limit the amount of time of using the machine continuously to somewhere around 10 minutes per session ,and take 10-20 minutes of rest between work sessions . Also try to keep the total amount of work performed in a single day under 2 hours or less.
- g. Be sure to keep this manual handy so that you may refer to it later whenever any questions arise .
- h. Always be sure to include this manual when selling ,lending ,or otherwise transferring the ownership of this product .
- i. Never allow children or anyone unable to fully understand the directions given in this manual to use this product.

Working Gear And Clothing

a. When using the product, you should wear proper clothing and protective equipment:

- Helmet
- Protection goggles or face protector
- Thick work gloves
- Non-slip sole work boots
- Ear protectors

b. And you should carry with you:

1. Attached tools and files .
2. Properly reserved fuel and chain oil .
3. Things to notify your working area (Rope ,Warning signs)
4. Whistle (for collaboration or emergency)
5. Hatchet or saw (for removal of obstacles)

c. Never use the product when wearing pants with loose cuffs, when wearing sandals, or when barefoot.

Warnings considering handling of fuel

a. The engine of this product is designed to run on a mixed fuel which contains highly flammable gasoline. Never store cans of fuel or refill the fuel tank in any place where there is a boiler, stove, wood fire, electrical sparks, welding sparks, or any other source of heat or fire which might ignite the fuel.

b. Smoking while operating the product or refilling its fuel tank is extremely dangerous. Always be sure to keep lit cigarettes away from the product at all times.

c. When refilling the tank always turn off the engine first and take a careful look around to make sure that there are no sparks or open flames anywhere nearby before refuelling.

d. If any fuel spillage occurs during refuelling, use a dry rag to wipe up spills before turning the engine back on again.

e. After refuelling, screw the fuel cap back tightly onto the fuel tank and then carry the product to a spot 3m or more away from where it was refuelled before turning on the engine.

Before Starting Engine

Check working place, the cutting object and cutting direction. if there is obstacle, remove it. Never start cutting until you have a clear work area, secure footing and a planned retreat path from the falling tree.

Use caution and keep bystanders and animals out of the working area whose diameter is 2.5 times of cutting object.

Inspect the machine for worn, loose, or damaged parts. Never operate the machine that is damaged, improperly adjusted, or is not completely and securely assembled. Make sure that the saw chain stops moving when the throttle control trigger is released.

When starting the engine

Always hold the machine firmly with both hands when the engine is running. Use a firm grip with thumb and fingers encircling the handles.

Keep all parts of your body away from the machine when the engine is running.

Before starting the engine ,make sure the saw chain is not contacting anything.

Additional warnings

Keep the handles dry, clean and free of oil or fuel mixture.

Never touch the muffler, spark plug or other metallic parts of the engine while the engine is in operation or immediately after stopping the engine. Doing so could result in serious burns or electrical shock.

Use extreme caution when cutting small size brush and saplings because slender material may catch the saw chain and be whipped toward you or pull you off balance.

When cutting a limb that is under tension, be alert for spring back so that you will not be struck when the tension in the wood fibres is released.

Check the tree for dead branches that could fall during the felling operation.

Always turn off the engine before setting it down .

Kickback safety precautions for chain saw users

Warning: Kickback may occur when the nose or tip of the guide bar touches an object, or when the wood closes in and pinches the saw chain in the cut. Tip contact in some cases may cause a lightning fast revers reaction, kicking the guide bar up and back towards the operator. Pinching the saw chain along the top of the guide bar may push the guide bar rapidly back towards the operator. Either of these reactions may cause you to lose control of the saw which could result in serious personal injury.

Do not rely exclusively on the safety devices built into your saw. As a chain saw user you should take several steps to keep cutting jobs free from accident or injury.

(1) With a basic understanding of kickback you can reduce or eliminate the element of surprise. Sudden surprise contributes to accidents.

(2) Keep a good grip on the saw with both hands, the right hand on the rear handle, and the left hand on the front handle, when the engine is running. Use a firm grip with thumbs and fingers encircling the chain saw handles. A firm grip will help you reduce kickback and maintain control of the saw.

(3) Make certain that the area in which you are cutting is free from obstructions. Do not let the nose of the guide bar contact a log, branch, or any other obstruction which could be hit while you are operating the saw.

(4) Cut a high engine speeds.

(5) Do not overreach or cut above shoulder height.

(6) Follow manufacturers sharpening and maintenance instructions for saw chain.

(7) Only use replacement bar and chains specified by the manufacturer or the equivalent.

Maintenance

In order to maintain your product in proper working order, perform the maintenance and checking operations described in the manual at regular intervals.

Always be sure to turn off the engine before performing any maintenance or checking procedures.

Warning: The metallic parts reach high temperatures immediately after stopping the engine.

Leave all maintenance other than the items listed in the owner's manual to your competent servicing dealer.

Transportation

Always carry the unit with the engine stopped, the guide bar covered with the protector to the rear, and muffler away from you body.

Installing guide bar and saw chain

Open the box and install the guide bar and the saw chain on the power unit as follows:

Warning: The saw chain has very sharp edges. Use thick protective gloves for safety.

1. Pull the guard towards the front handle to check that the chain brake is not on.

2. Loosen the nuts and remove the chain cover.

3. Install the attached spike to the power unit.

4. Gear the chain to the sprocket and, while fitting the saw chain around the guide bar, mount

the guide bar to the power unit. Adjust the position of chain tensioner nut on the chain cover to the lower hold of the guide bar (F1).

(1) Tensioner Nut

(2) Chain cover

Note: Pay attention to the correct direction of the saw chain (F2).

(1) Moving direction

5. Fit the chain cover to the power unit and fasten the nuts to finger tightness.
6. While holding up the tip of the bar, adjust the chain tension by turning the tensioner screw until the tie straps just touch the bottom side of the bar rail (F3).
7. Tighten the nuts securely with the bar tip held up (12-15N.m). Then check the chain for smooth rotation and proper tension while moving it by hand. If necessary, readjust with the chain cover loose.
8. Tighten the tensioner screw.
 - (1) Loosen
 - (2) Tighten
 - (3) Tensioner screw

Note: A new chain will expand its length in the beginning of use. Check and read just the tension frequently as a loose chain can easily derail or cause rapid wear of itself and the guide bar.

Fuel And Chain Oil

Warning: Gasoline is very flammable. Avoid smoking or bringing any flame or sparks near fuel.

Wipe up all spills before starting the engine.

Make sure to stop the engine and allow it cool before starting the engine.

Keep open flames away from the area where fuel is handled or stored.

Important: Never use oil for 4 cycle engine use or water cooled 2-cycle engine.

Never use "FUEL WITH NO OIL (RAW GASOLINE)".

Never use fuel laced with water.

Mixed fuel which have been left unused for period of one month or more may clog the carburettor or result in the engine failing to operate properly. Put remained fuel into an air-tight container and keep it in the dark and cool room.

Please ask for "mixed gasoline for air-cooled 2-cycle engines" at your nearest gas station, or use fuel made by putting unleaded 95 octane gasoline and air-cooled 2-cycle special engine oil into a mixing container in accordance with the following ratios and then shaking to mix well.

Mixing ratios:

Use a special type 2-cycle oil (30ml of oil for each 1L of unleaded gasoline 95).

Chain oil lube

Use an appropriate chainsaw chain lube.

Note: Do not use wasted or regenerated oil that can cause damage to the oil pump.

Main operation

Warning: It is very dangerous to run a chain saw that mounts broken parts or lack any parts. Before starting engine, make sure that all the parts including bar and chain are installed properly.

Starting Engine

1. Fill fuel and chain oil tanks respectively, and tighten the caps securely (F7).
2. Put the switch to "I" position (F8).
3. Pull out the choke knob to the closed position (F9).
 - (1) Chain oil
 - (2) Fuel
 - (3) Switch* not included in all models
 - (4) Choke knob

Note: When restarting immediately after stopping the engine, leave the choke knob at the open position.

4. While holding the saw unit securely on the ground, pull the starter rope vigorously (F10).

Warning: Do not start the engine while hanging the chain saw with a hand. The saw chain may touch your body. It is very dangerous.

5. When engine has ignited first, pull the throttle lever slightly to return the choke knob to the open position and pull the starter again to start the engine.

6. Allow the engine to warm up with throttle lever pulled slightly.

*At once pulling throttle lever out, the choke knob is automatically returned to the operating position (not included in all models).

Warning: Keep clear of the saw chain as it will start rotating upon starting of engine.

Checking oil supply

Warning: Make sure to set up the bar and the chain when checking the oil supply. If not, the rotating parts may be exposed. It is very dangerous.

After starting the engine, run the chain at medium speed and see if chain oil is scattered off as shown in the figure (F12).

(1) Chain oil

The chain oil flow can be changed by inserting a screwdriver in the hole on bottom of the clutch side . Adjust according to your work conditions (F13).

(1) Adjuster

Note: The oil tank should become nearly empty by the time fuel is used up. Be sure to refill the oil tank every time when refuelling the unit.

Adjusting the carburettor (F14)

The carburettor on your unit has been factory adjusted, but may require fine tuning due to the change in operating conditions.

Before adjusting the carburettor ,make sure that provided are clean air/fuel filters and fresh, properly mixed fuel.

When adjusting, take the following steps :

Note: Be sure to adjust the carburettor with the bar chain attached.

1. Stop engine and screw in both H and L needles until they stop. Never force. Then set them back the initial number of turns as shown below.

	4500	5200
H Needle	1 ± 3/8	1 ± 3/8
L Needle	1 1/4 ± 1/4	1 1/2 ± 1/4

2. Start engine and allow it to warm up at half-throttle.

3. Turn L needle slowly clockwise to find a position where idling speed is maximum, then set the needle back a quarter (1/4) turn counter-clockwise.

4. Turn idle adjusting screw (T) counter-clockwise to that saw chain does not turn. If idling speed is too slow, turn the screw clockwise.

5. Make a test cut and adjust the H needle for a best cutting power, not for maximum speed.

(1) L needle (3) Idle adjusting screw

(2) H needle

Carburettor anti-freeze mechanism

Operating the chain saw in temperatures of 0-5 °C at time of high humidity may result in ice forming within the carburettor, and this in turn may cause the output power of engine to fail to operate smoothly.

This product has accordingly been designed with a ventilation hatch the back of the air cleaner cover to allow warm air to be supplied to the engine and to thereby prevent icing from occurring.

Under normal circumstances the product should be used in normal operating mode, i.e., in the model to which it is set at the time of shipment. However when the possibility exists that icing may occur, the unit should be set to operate in anti-freeze mode before use.

Warning: Continuing to use the product in the anti-freeze model even when temperatures have risen and returned to normal may result in the engine failing to start properly or in the engine failing to operate at its normal speed, and for this reason you should always be sure to return the unit to normal operating model if there is no danger of icing occurring.

How to switch between operating modes (F16)

1. Flip the engine switch to turn off the engine.

2. Remove the air cleaner cover and remove the screen on the back of the air cleaner cover.

3. Reattach the screen right side left so as to the anti-icing plate is on the right. Reinstall the cover.

(1) Air cleaner cover

(2) Anti-icing plate

(3) Screw

(4) Normal operating mode

(5) Anti-freeze mode

(6) Screen

Warning: Continuing to use the product in the anti-freeze mode even when temperatures have risen and returned to normal may result in the engine failing to start properly or in the engine failing to operate at its normal speed, and for this reason you should always be sure to return the unit to normal operating mode if there is no danger of icing occurring.

Note: When using the unit at times when it is snowing. We recommend that you also use a snow protector effective in preventing the air filter from freezing (F17). (1) Snow protector (not included).

Chain Brake (F18)

This brake can be operated manually with front guard turned down to guide bar.

To release brake ,pull up the front guard toward the front handle till “Click” sound is heard.

- (1) Break (Front guard)
- (2) Released
- (3) Operated

Caution: Be sure to confirm brake operation on the daily inspection.

In case the brake is not effective, ask expert inspection and repairing.

The engine, if being kept rotated at high speed with the brake engaged the clutch, causing a trouble.

When the brake is operated while in operation, immediately release your fingers from the throttle lever and keep the engine idling.

Stopping engine

1. Release the throttle level to allow the engine idling for a few minutes.

2. Put the switch to the “O” (STOP) position (F20).

- (1) Switch

Sawng

Warning: Before proceeding to your job, read “For Safe Operation ” section it is recommended to first practice sawing easy logs. This also helps you get accustomed to your unit.

Always follow they safety regulations. The chain saw must only be used for cutting wood. It is forbidden to cut other types of material. Vibrations and kickback vary with different materials and the requirements of the safety regulations would not be respected. Do not use the chain saw as a lever for lifting, moving or splitting objects. Do not lock it over fixed stands. It is forbidden to hitch tools or applications to the P.T.O that are not specified by the manufacturer.

It is not necessary to force the saw into the cut. Apply only light pressure while running the engine at full throttle.

When the saw chain is caught in the cut, do not attempt to pull it out by force, but use a wedge or a lever to open the way.

Guard against kickback (F21)

It is extremely important that the chain brake be checked for proper operation before each use and that the chain be sharp in order to maintain the kickback safety level of this saw. Removal of the safety devices, inadequate maintenance, or incorrect replacement of the bar of chain may increase the risk to serious personal injury due to kickback.

Warning: Do not use an unstable foothold or ladder.

Do not overreach.

Do not cut above shoulder height.

Always use your both hands to grip the saw.

Maintenance

Warning: Before cleaning, inspection or repairing your unit, make sure that engine has stopped and is cool.

Disconnect the spark plug to prevent accidental starting.

Maintenance after each use

1. Air filter

Dust on the cleaner surface can be removed by tapping a corner of the cleaner against a hard surface. To clean dirt in the meshes, split the cleaner into halves and brush in gasoline. When using compressed air, blow from the inside (F27).

To assemble the cleaner halves ,press the rim until it clicks.

Note: When installing the main filter, make sure that the grooves on the filter edge are correctly fit with the projections on the cylinder cover.

2. Oiling port

Dismount the guide bar and check the oiling port for clogging (F28).

- (1) Oiling port



3. Guide bar

When the guide bar is dismantled, remove sawdust in the bar groove and oiling port (F29).

Grease the nose sprocket from the feeding port on the tip of the bar (F30).

- (1) Oiling port
- (2) Grease Port
- (3) Sprocket

4. Others

Check for fuel leakage and loose fastenings and damage to major parts, especially handle joints and guide bar mounting. If any defects are found, make sure to have them repaired before operating again.

Periodical service points

1. Cylinder fins

Dust clogging between the cylinder fins will cause overheating of the engine. Periodically check and clean the cylinder fins after removing the air cleaner and the cylinder cover. When installing the cylinder cover, make sure that switch wires and grommets are positioned correctly in place (F31).

Note: Be sure to block the air intake hold.

2. Fuel filter

(a) Using a wire hook, take out the filter from the filler port (F32).

- (1) Fuel filter
- (b) Disassemble the filter and wash with gasoline, or replace with new one if needed.

3. Oil tank

With a wire hook, take out the oil filter through the filler port and clean in gasoline. When putting the filter back into the tank, make sure that it comes to the front right corner. Also clean off dirt in the tank (F33).

(2) Oil filter

4. Spark plug (F34)

Clean the electrodes with a wire brush and reset the gap to 0.6~0.7mm as necessary.

5. Sprocket (F35)

Check for cracks and for excessive wear interfering with the chain drive. If the wearing it found obviously, replace it with new one. Never fit a new chain on the worn sprocket, or a worn chain on a new sprocket.

6. Front and rear dampers

Replace if adhered part is peeled or crack is observed on the rubber part.

Maintenance of saw chain and guide bar

Saw chain

Warning: It is very important for smooth and safe operation to keep the cutters always sharp.

Your cutters need to be sharpened when:

Sawdust becomes powder-like.

You need extra force to saw in.

The cut way does not go straight.

Vibration increases.

Fuel consumption increases.

Warning: Be sure to wear safety gloves.

Guide bar

Reverse the bar occasionally to prevent partial wear.

The bar rail should always be a square.

Check for wear of the bar rail.

Apply a ruler to the bar and the outside of a cutter.

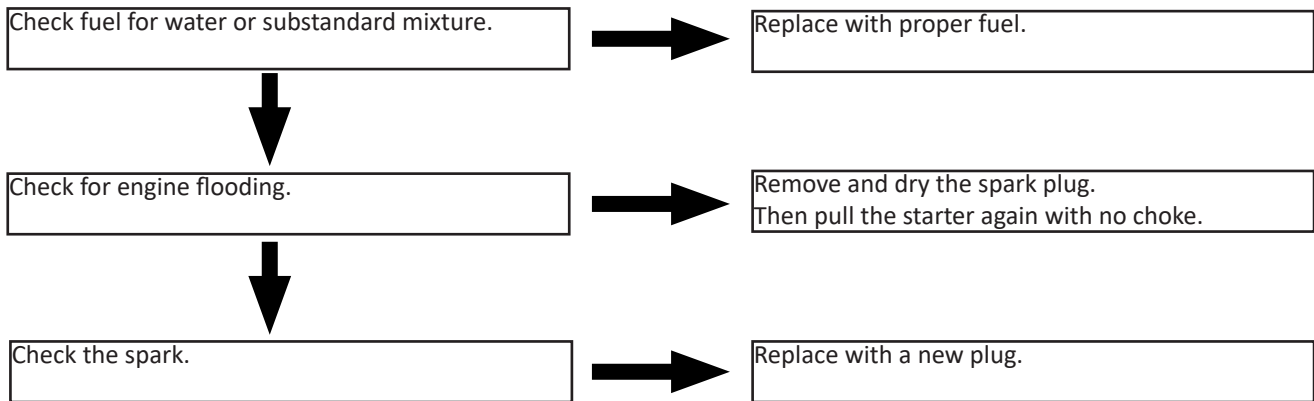
If a gap is observed between them, the rail is normal. Otherwise, the bar rail is worn.

Such a bar needs to be corrected or replaced (F39).

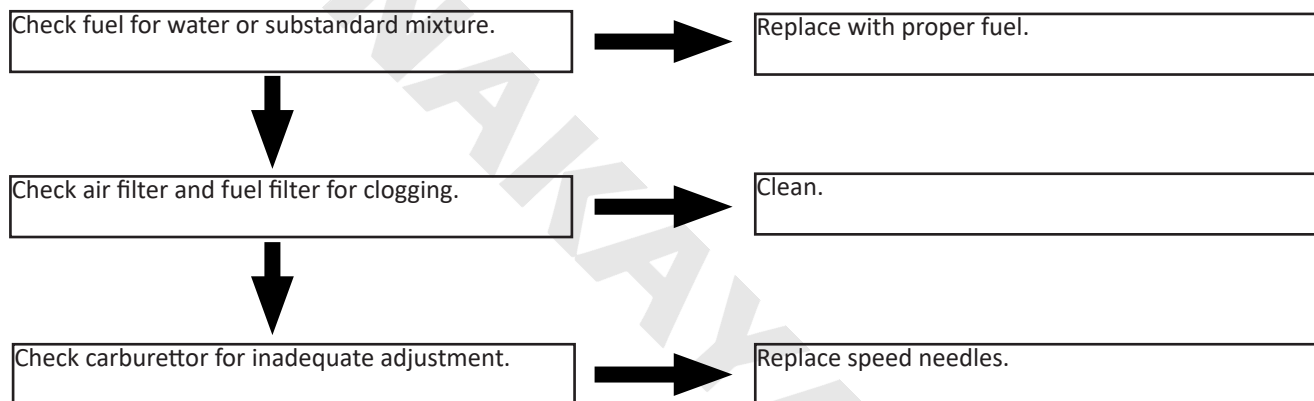
Troubleshooting

Case 1. Starting failure

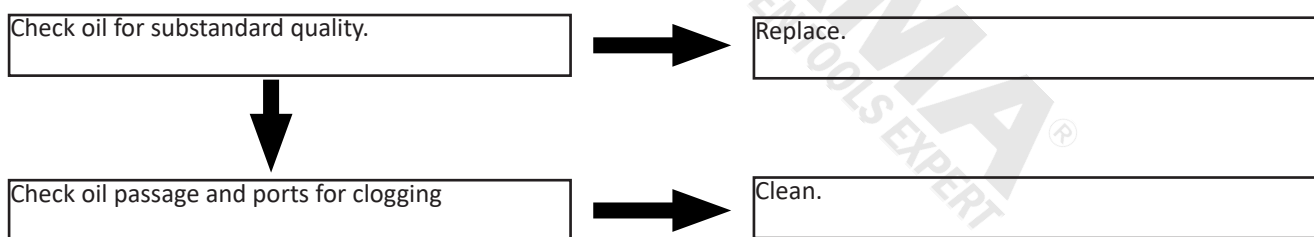
Make sure the icing prevention system is not working.



Case 2. Lack of power / Poor acceleration / Rough idling.



Case 3. Oil does not come out



When your unit seems to need further service ,please consult with our service shop in your area .

Technical Data

Model:	PC4600	PC5600	PC6700
Displacement:	45cc	50cc	56.3cc
Power:	2,45hp	2.6hp	3.8hp
Bar Length:	45cm	50cm	55cm
Chain:	0.325", 1,3mm	0,325" 1,5mm	0,325" 1,5mm

* The manufacturer reserves the right to make minor changes to product design and technical specifications without prior notice unless these changes significantly affect the performance and safety of the products. The parts described / illustrated in the pages of the manual that you hold in your hands may also concern other models of the manufacturer's product line with similar features and may not be included in the product you just acquired.

* Please note that our equipment has not been designed for use in commercial, trade or industrial applications. Our warranty will be voided if the machine is used in commercial, trade or industrial businesses or for equivalent purposes.

* To ensure the safety and reliability of the product and the warranty validity, all repair, inspection, repair or replacement work, including maintenance and special adjustments, must only be carried out by technicians of the authorized service department of the manufacturer.

Προσοχή! Οι προειδοποιήσεις που περιέχουν οι οδηγίες αυτές αφορούν σημαντικά σημεία που πρέπει να ληφθούν υπόψη για να αποφύγετε σοβαρούς τραυματισμούς. Για το λόγο αυτό θα πρέπει να διαβάσετε όλες τις οδηγίες χρήσης και να τις ακολουθήσετε πιστά.

Οι οδηγίες που περιλαμβάνονται σε προειδοποιήσεις σε αυτό το εγχειρίδιο που σημειώνονται με σύμβολα προειδοποίησης αφορούν κρίσιμα σημεία τα οποία πρέπει να ληφθούν υπόψη για την αποφυγή πιθανών σοβαρών σωματικών τραυματισμών. Για το λόγο αυτό σας ζητείται να διαβάσετε προσεκτικά όλες αυτές τις οδηγίες και να τις ακολουθήσετε πιστά.

Περιγραφή τμημάτων (A1)

- | | |
|---------------------------------|--------------------------|
| 1. Φρένο | 8. Διακόπτης λειτουργίας |
| 2. Χειρόμιζα | 9. Δεξαμενή καυσίμου |
| 3. Κάλυμμα φίλτρου αέρος | 10. Δοχείο λαδιού |
| 4. Μοχλός τσόκ | 11. Εμπρόσθια λαβή |
| 5. Διακόπτης ασφαλείας γκαζιού | 12. Αλυσίδα κοπής |
| 6. Οπίσθια λαβή | 13. Λάμα κοπής |
| 7. Σκανδάλη τροφοδοσίας (γκάζι) | |

Εικονογράμματα κινδύνου στο μηχάνημα (A2)

Από αριστερά προς τα δεξιά:

Διαβάστε προσεκτικά το εγχειρίδιο προτού χρησιμοποιήσετε το μηχάνημα.

Φοράτε ατομικά μέσα προστασίας, κράνος, μάσκα και ακουστικά προστασίας.

Χειρίζεστε πάντοτε το μηχάνημα χρησιμοποιώντας και τα δύο σας χέρια.

Προσοχή! Κίνδυνος ανάκρουσης (λάκτισμα - κλότσημα)

Προσοχή κίνδυνος

Προσοχή μην αγγίζετε, θερμή επιφάνεια.

Χρησιμοποιήστε εξοπλισμό προστασίας για τα πόδια και τα χέρια σας.

Το μηχάνημα πρέπει να χρησιμοποιείται μόνο από εκπαιδευμένα άτομα.

ΣΗΜΑΝΤΙΚΟ!

Εάν τα αυτοκόλλητα προειδοποίησης ξεκολλήσουν ή δεν είναι ευανάγνωστα θα πρέπει να επικοινωνήσετε με τον προμηθευτή σας για την άμεση αντικατάστασή τους.

ΠΡΟΣΟΧΗ!

Μην τροποποιείτε το μηχάνημα! Η εγγύηση δεν καλύπτει το μηχάνημα στην περίπτωση που έχουν πραγματοποιηθεί τροποποιήσεις στο μηχάνημα ή σε περίπτωση που δεν τηρούνται οι οδηγίες χρήσης που αναγράφονται στο εγχειρίδιο.

Σύμβολα που εντοπίζονται στο μηχάνημα (A3)

Για την ασφαλή λειτουργία και συντήρηση του μηχανήματος, το μηχάνημα φέρει ειδικά σύμβολα.

Συμβουλευτείτε τις ενδείξεις αυτές για να αποφύγετε τα σφάλματα.

a) Ένδειξη πλήρωσης καυσίμου «μίγμα καυσίμου»

Θέση: Τάπα ρεζερβουάρ

b) Ένδειξη πλήρωσης λαδιού αλυσίδας

Θέση: Τάπα λαδιού

c) Ένδειξη διακόπτη

Διακόψτε την λειτουργία του μηχανήματος γυρνώντας τον διακόπτη στην θέση «Ο» (STOP).

Θέση: Πίσω μέρος της αριστερής πλευράς του μηχανήματος.

d) Ένδειξη για το τσόκ

Τραβώντας τον μοχλό του τσόκ το τσόκ κλείνει.

Θέση: Πίσω μέρος της δεξιάς πλευράς του μηχανήματος.

e) Ένδειξη τις βίδας ρύθμισης του λαδιού αλυσίδας

«MIN» κατεύθυνση μείωσης της ροής λαδιού

«MAX» κατεύθυνση αύξησης της ροής λαδιού

Θέση: Κάτω από τον συμπλέκτη

f) Θέση βελόνας H

Θέση βελόνας L

Θέση της βίδας ρύθμισης ρελαντί

Θέση: Πίσω μέρος της αριστερής πλευράς του μηχανήματος.

Οδηγίες ασφαλούς χρήσης

Προτού θέσετε σε λειτουργία το μηχάνημα

A. Διαβάστε καλά τις οδηγίες χρήσης του μηχανήματος πριν το χρησιμοποιήσετε.

B. Μην χρησιμοποιείτε το αλυσοπρίονο εάν βρίσκεστε υπό την επήρεια αλκοόλ, εθιστικών ουσιών ή φαρμάκων και εάν δεν βρίσκεστε σε καλή κατάσταση υγείας ή έχει επέλθει κόπωση.

C. Μην θέτετε σε λειτουργία το πριόνι σε κλειστούς χώρους. Τα καυσαέρια περιέχουν δηλητηριώδεις ουσίες.

D. Μην χρησιμοποιείτε το μηχάνημα κάτω από τις συνθήκες που περιγράφονται παρακάτω:

- Όταν το έδαφος είναι ολισθηρό ή όταν υπάρχουν άλλοι παράγοντες οι οποίοι ενδεχομένως να δημιουργήσουν προβλήματα την ισορροπία του χειριστή.

Κατά την διάρκεια της νύχτας ή όταν υπάρχει ομίχλη ή σε άλλες περιπτώσεις όπου η ορατότητα είναι μειωμένη.

Κατά την διάρκεια βροχόπτωσης και σε άλλες περιπτώσεις όπου η χρήση του εργαλείου πραγματοποιείται με δυσκολία.

E. Όταν χρησιμοποιείτε αυτό το εργαλείο για πρώτη φορά και πριν να εργαστείτε προτείνεται να εκπαιδευτείτε από έναν έμπειρο χειριστή.

F. Η έλλειψη ύπνου ή η κούραση μπορεί να οδηγήσει σε ατυχήματα και σοβαρούς τραυματισμούς. Μειώστε τον χρόνο λειτουργίας με το μηχάνημα σε 10 λεπτά ανά την φορά και πραγματοποιήστε συχνά διαλείμματα 10 - 20 λεπτών. Επίσης κρατήστε τον χρόνο συνολικής λειτουργίας με το μηχάνημα κάτω από τις 2 ώρες την ημέρα.

G. Να έχετε το εγχειρίδιο αυτό σε εύκαιρο σημείο για να μπορείτε να το συμβουλευτείτε ανά πάσα στιγμή.

H. Να παραδίδετε και τις οδηγίες μαζί σε περίπτωση πώλησης ή δανεισμού αυτού του εργαλείου.

I. Τα παιδιά θα πρέπει να βρίσκονται σε ασφαλή απόσταση από τον χώρο εργασίας. Δεν επιτρέπεται η χρήση του εργαλείου από ανήλικα άτομα. Παρακαλούμε να επικοινωνήστε άμεσα με τον γιατρό σας σε περίπτωση τραυματισμού.

a. Όταν χρησιμοποιείτε το μηχάνημα θα πρέπει να φοράτε κατάλληλα ρούχα και είδη προστασίας όπως:

1. Κράνος
2. Γυαλιά ή προσωπίδα προστασίας
3. Γάντια προστασίας
4. Αντιολισθητικά υποδήματα
5. Ωτοασπίδες

b. Και θα πρέπει επίσης να έχετε:

1. Εργαλεία και λίμες
2. Ειδικό δοχείο με καύσιμα και λάδι αλυσίδας
3. Είδη για να οριοθετήσετε τον χώρο εργασίας
4. Σφυρίχτρα (στην περίπτωση κινδύνου)
5. Τσεκούρι ή πριόνι (για την απομάκρυνση εμποδίων)

c. Μην χρησιμοποιείτε το μηχάνημα όταν φοράτε κοντό παντελόνι, σανδάλια ή όταν είστε ξυπόλυτοι.

Προειδοποιήσεις σχετικά με τον χειρισμό των καυσίμων

Ο κινητήρας του μηχανήματος είναι σχεδιασμένος για να λειτουργεί με μείγμα καυσίμου που περιέχει πολύ εύφλεκτη βενζίνη. Μην αποθηκεύετε τα δοχεία και μην πραγματοποιείτε ανεφοδιασμό καυσίμου σε χώρους όπου υπάρχουν εύφλεκτα υλικά ή πηγές θερμότητας (φλόγες, σπίθες κλπ).

ΣΗΜΕΙΩΣΗ

Σε περίπτωση ανάφλεξης των καυσίμων εξουδετερώστε την πυρκαγιά χρησιμοποιώντας έναν πυροσβεστήρα ξηράς σκόνης.

Πριν την εκκίνηση

Ελέγξτε τον χώρο εργασίας, το τεμάχιο εργασίας και την κατεύθυνση κοπής. Εάν υπάρχουν εμπόδια αφαιρέστε τα.

Μην ξεκινήσετε την κοπή εάν ο χώρος εργασίας δεν είναι καθαρός, εάν δεν έχετε σταθερή στάση του σώματος και εάν δεν έχετε σχεδιάσει ένα δρόμο διαφυγής από το σημείο εργασίας.

Δώστε προσοχή σε περίπτωση που βρίσκονται και άλλα άτομα κοντά στο χώρο εργασίας. Επιβεβαιώστε ότι βρίσκονται σε απόσταση τουλάχιστον 2,5 φορές μεγαλύτερη από το αντικείμενο κοπής.

Ελέγξτε το μηχάνημα για ενδείξεις φθοράς και μέρη που παρουσιάζουν κάποιο πρόβλημα. Μην θέτετε το μηχάνημα σε λειτουργία εάν παρουσιάζει κάποιο πρόβλημα, αν δεν είναι σωστά ρυθμισμένο ή εάν δεν έχει συναρμολογηθεί σωστά.

Σιγουρευτείτε ότι η αλυσίδα σταματά να περιστρέφεται όταν απελευθερώνετε την σκανδάλη τροφοδοσίας (γκάζι).

Κατά την εκκίνηση

Κρατάτε το πριόνι σταθερά και με τα δυο σας χέρια όταν κατά την διάρκεια λειτουργίας του.

Κρατήστε το αλυσοπρίονο μακριά από το σώμα σας κατά την διάρκεια λειτουργίας του. Πριν εκκινήσετε το αλυσοπρίονο σιγουρευτείτε ότι δεν βρίσκεται σε επαφή με κάποια επιφάνεια.

Σημαντικές συμβουλές ασφαλείας

Διατηρήστε τις λαβές καθαρές και στεγνές.

Μην ακουμπάτε την εξάτμιση ή άλλα εξαρτήματα του μηχανήματος ενώ αυτό βρίσκεται σε λειτουργία για να αποφύγετε τον κίνδυνο εγκαύματος. Δώστε μεγάλη προσοχή όταν κόβετε μικρά ξύλα και θάμνους καθώς δημιουργείται ο κίνδυνος να εκτοξευτούν προς το μέρος σας μικρά τμήματα του υλικού κοπής και να σας κάνουν να χάσετε την ισορροπία σας.

Όταν κόβετε ένα ξύλο που βρίσκεται υπό τάση προσέξτε μην χτυπηθείτε μετά την απελευθέρωσή του κατά την κοπή του.

Ελέγξτε για ξεραμένα κλαδιά ή δέντρα τα οποία μπορεί να πέσουν και να σας τραυματίσουν. Σταματήστε το μηχάνημα προτού το αφήσετε κάτω.

Ασφάλεια κατά της ανάκρουσης

ΠΡΟΣΟΧΗ ΚΙΝΔΥΝΟΣ! Η ανάκρουση μπορεί να προκύψει όταν η μύτη της λάμας του πριονιού ακουμπήσει πάνω σε ένα αντικείμενο η όταν το ξύλο εγκλωβίσει την λάμα και εμποδίζει την λειτουργία του μηχανήματος. Η στιγμή της επαφής της μύτης της λάμας γίνεται σε κλάσματα δευτερολέπτων και η ανάκρουση που δημιουργείται μπορεί να τραυματίσει σοβαρά τον χειριστή.

1. Η πλήρη κατανόηση της αντίδρασης ανάκρουσης μπορεί να αυξήσει την αποτελεσματικότητα αντίδρασης της κατάστασης αυτής καθώς θα είστε σε ετοιμότητα για να την αντιμετωπίσετε και να μειώσετε τις πιθανότητες ατυχήματος.
2. Μην εργάζεστε κρατώντας το πριόνι μόνο με το ένα χέρι. Για απόλυτο έλεγχο κρατήστε το πριόνι και με τα δύο χέρια, το ένα στην μπροστινή λαβή και το άλλο στην πίσω. Με σταθερό κράτημα θα μειώσετε τον κίνδυνο ανάκρουσης και θα έχετε και τον απόλυτο έλεγχο του πριονιού.
3. Βεβαιωθείτε ότι δεν υπάρχουν εμπόδια στον χώρο εργασίας. Για λόγους ασφαλείας, μην αφήνετε την λάμα να έρχεται σε επαφή με άλλες επιφάνειες κατά την διάρκεια λειτουργίας του μηχανήματος.
4. Για καλύτερα αποτελέσματα πραγματοποιήστε την κοπή σε υψηλή ταχύτητα λειτουργίας.
5. Μην τεντώνετε για να φτάσετε σε υψηλά σημεία και μην χρησιμοποιείτε το μηχάνημα σε σημεία που ξεπερνούν σε ύψος το ύψος των ώμων σας.
6. Ακολουθήστε τις οδηγίες του κατασκευαστή σχετικά με το τρόχισμα και την συντήρηση.
7. Χρησιμοποιείτε μόνο ανταλλακτικά (λάμες, αλυσίδα κτλ.) που προτείνει ο κατασκευαστής για την ασφαλέστερη λειτουργία του πριονιού.

Συντήρηση

Για να συντηρήσετε σωστά το μηχάνημά σας πραγματοποιήστε τις λειτουργίες συντήρησης που περιγράφονται στις οδηγίες αυτές ανά τακτά χρονικά διαστήματα.

Προσοχή!

Τα μεταλλικά μέρη αποκτούν υψηλές θερμοκρασίες κατά την διάρκεια λειτουργίας όπως επίσης για ένα χρονικό διάστημα μετά την διακοπή λειτουργίας του κινητήρα. Οι εργασίες που δεν αναφέρονται στο εγχειρίδιο αυτό θα πρέπει να πραγματοποιηθούν μόνο από το εξουσιοδοτημένο τμήμα σέρβις.

Μεταφορά

Όταν μεταφέρετε το πριόνι τοποθετήστε το κάλυμμα της λάμας για να αποφύγετε οποιονδήποτε τραυματισμό. Μεταφέρετε το αλυσοπριόνιο πάντοτε με τον κινητήρα να βρίσκεται εκτός λειτουργίας και την λάμα προς τα πίσω και σε ασφαλή απόσταση από το σώμα σας.

Σύνδεση της λάμας και της αλυσίδας κοπής

Ανοίξτε την αρχική συσκευασία και τοποθετήστε την λάμα και την αλυσίδα στο μηχάνημα σύμφωνα με τις παρακάτω οδηγίες:

ΠΡΟΣΟΧΗ!

Η αλυσίδα είναι εξαιρετικά αιχμηρή. Χρησιμοποιήστε γάντια προστασίας για την δική σας ασφάλεια.

1. Τραβήξτε το φρένο της αλυσίδας προς τα πίσω για να επιβεβαιώσετε ότι το φρένο δεν είναι ενεργοποιημένο.
 2. Ξεβιδώστε τα παξιμάδια που βρίσκονται στο κάλυμμα της αλυσίδας.
 3. Τοποθετήστε την δαγκάνα στο μηχάνημα
 4. Τοποθετήστε την αλυσίδα στην λάμα και συγχρόνως την λάμα πάνω στο μηχάνημα. Ρυθμίστε την θέση του ρεγουλατόρου της αλυσίδας στο κάλυμμα της αλυσίδας και στην τρύπα της λάμας. (F1)
- (1) Ρεγουλατόρος
(2) Κάλυμμα αλυσίδας

Σημείωση

Δώστε σημασία στην σωστή κατεύθυνση της αλυσίδας (F2)

- (1) Κατεύθυνση κίνησης
 5. Τοποθετήστε το κάλυμμα στο μηχάνημα και σφίξτε τις βίδες.
 6. Καθώς κρατάτε την μύτη της λάμας, και ρυθμίστε το τέντωμα της αλυσίδας γυρνώντας τον ρεγουλατόρο μέχρι η αλυσίδα να ακουμπήσει στο κάτω μέρος της λάμας (F3)
 7. Σφίξτε τις βίδες κρατώντας την μύτη της λάμας προς τα πάνω (21-15Nm) . Στην συνέχεια ελέγξτε ότι η αλυσίδα περιστρέφεται με άνεση και ότι έχει το κατάλληλο τέντωμα. Εάν χρειάζεται ρυθμίστε ξανά.
 8. Σφίξτε τον ρεγουλατόρο.
- (1) Ξεσφίξτε
(2) Σφίξτε

(3) Ρεγουλατόρος

Σημείωση

Μια καινούρια αλυσίδα θα μεγαλώσει μόλις ξεκινήσετε την λειτουργία. Ελέγξτε και διορθώστε το τέντωμα της αλυσίδας συχνά γιατί μια χαλαρή αλυσίδα μπορεί να φύγει από την θέση της.

Καύσιμα και λάδι αλυσίδας

Προειδοποίηση: Η βενζίνη είναι εξαιρετικά εύφλεκτη. Αποφύγετε το κάπνισμα και μην πλησιάζετε ενεργές φλόγες ή σπινθήρες κοντά στα καύσιμα.

Σκουπίστε όλες τις διαρροές πριν ξεκινήσετε τον κινητήρα.

Βεβαιωθείτε ότι έχετε σταματήσει τον κινητήρα και αφήστε τον να κρυώσει πριν τον εκκινήσετε.

Κρατήστε τις ανοιχτές φλόγες μακριά από την περιοχή όπου διακινούνται ή αποθηκεύονται τα καύσιμα.

Σημαντικό: Ποτέ μην χρησιμοποιείτε λάδι κινητήρα για 4χρονους κινητήρες ή υδρόψυκτους 2χρονους κινητήρες.

Ποτέ μην χρησιμοποιείτε το "ΚΑΥΣΙΜΟ ΧΩΡΙΣ ΛΑΔΙ (ΣΚΕΤΟ ΚΑΥΣΙΜΟ)".

Ποτέ μην χρησιμοποιείτε καύσιμα με νερό.

Το μικτό καύσιμο που έχει παραμείνει αχρησιμοποίητο για περίοδο ενός μήνα ή περισσότερο μπορεί να φράξει το καρμπουρατέρ ή να οδηγήσει στον κινητήρα να μην λειτουργεί σωστά. Τοποθετήστε το καύσιμο που απέμεινε σε ένα αεροστεγές δοχείο και φυλάξτε το σε ένα σκοτεινό και δροσερό δωμάτιο.

Ζητήστε "μίγμα βενζίνης για αερόψυκτους δίχρονους κινητήρες" στο πλησιέστερο βενζινάδικο, ή παρασκευάστε το μίγμα τοποθετώντας αμόλυβδη βενζίνη 95 οκτανίων και ειδικό λάδι αερόψυκτων δίχρονων κινητήρων σε ένα δοχείο ανάμιξης σύμφωνα με τις ακόλουθες αναλογίες και στη συνέχεια ανακινείται για να αναμιχθεί καλά.

Αναλογίες ανάμιξης:

Χρησιμοποιήστε λάδι ειδικού τύπου 2χρονων κινητήρων (30ml λαδιού για κάθε 1L αμόλυβδης βενζίνης 95).

Λιπαντικό αλυσίδας

Χρησιμοποιήστε ένα κατάλληλο λιπαντικό αλυσίδας για αλυσοπρίονα.

Σημείωση: Μην χρησιμοποιείτε χρησιμοποιημένο ή ανακυκλωμένο λάδι για να αποφύγετε την πρόκληση βλάβης στην αντλία λαδιού.

Περιγραφή βασικής λειτουργίας

Προειδοποίηση: Είναι πολύ επικίνδυνο να χρησιμοποιείτε ένα αλυσοπρίονο που φέρει σπασμένα μέρη ή δεν διαθέτει τα απαραίτητα εξαρτήματα. Πριν από την εκκίνηση του κινητήρα, βεβαιωθείτε ότι όλα τα μέρη, συμπεριλαμβανομένης της λάμας και της αλυσίδας, έχουν εγκατασταθεί σωστά.

Εκκίνηση κινητήρα

1. Συμπληρώστε καύσιμα και λάδι και σφίξτε καλά τις τάπες. (F7)
2. Τοποθετήστε τον διακόπτη στην θέση "I". (F8)
3. Τραβήξτε το τσοκ για να βρίσκεται στην κλειστή του θέση (F9)
 - 1) Λάδι αλυσίδας
 - 2) Καύσιμα
 - 3) Διακόπτης* (δεν περιλαμβάνεται σε όλα τα μοντέλα)
 - 4) Τσόκ

Σημείωση

Όταν ξεκινάτε αμέσως μετά την παύση αφήστε το τσόκ στην ανοιχτή του θέση.

4. Καθώς κρατάτε το μηχάνημα σταθερά στο έδαφος τραβήξτε την χειρόμιζα δυνατά και απότομα. (F10).

ΠΡΟΣΟΧΗ!

Μην ξεκινήσετε το μηχάνημα καθώς το κρατάτε με το ένα χέρι. Η αλυσίδα μπορεί να ακουμπήσει στο σώμα σας. Είναι πολύ επικίνδυνο.

5. Όταν ο κινητήρας έχει κάνει ανάφλεξη πιέστε την σκανδάλη για να επιστρέψει το τσόκ στην αρχική του θέση ή σε άλλη περίπτωση γυρίστε το χειροκίνητα και τραβήξτε ξανά την χειρόμιζα για να εκκινηθεί ο κινητήρας.

6. Αφήστε τον κινητήρα να ζεσταθεί.

*Με το πάτημα της σκανδάλης το τσοκ επιστρέφει αυτόματα στην θέση λειτουργίας (δεν περιλαμβάνεται σε όλα τα μοντέλα)

Προειδοποίηση: Μείνετε σε ασφαλή απόσταση από την αλυσίδα του πριονιού καθώς θα αρχίσει να περιστρέφεται κατά την εκκίνηση του κινητήρα.

Έλεγχος του συστήματος λίπανσης της αλυσίδας

Προειδοποίηση: Βεβαιωθείτε ότι έχετε ρυθμίσει τη λάμα και την αλυσίδα κατά τον έλεγχο του συστήματος λίπανσης της αλυσίδας για να μειώσετε τον κίνδυνο τραυματισμού από τα κινούμενα μέρη.

Μετά την εκκίνηση του κινητήρα, λειτουργήστε το αλυσοπρίονο με μεσαίου βαθμού ταχύτητα και δείτε αν το λάδι αλυσίδας εκτινάσσεται όπως φαίνεται στην εικόνα (F12).

(1) Λάδι αλυσίδας

Η ροή λαδιού μπορεί να ρυθμιστεί εισάγοντας ένα κατσαβίδι στην οπή που βρίσκεται στην κάτω μεριά του συμπλέκτη. Ρυθμίστε ανάλογα με τις απαιτήσεις της εκάστοτε εργασίας (F13).

(1) Ρυθμιστής

Σημείωση: Το λάδι της αλυσίδας μπορεί να αδειάσει πριν να αδειάσουν τα καύσιμα. Συμπληρώστε με λάδι κάθε φορά που συμπληρώνετε καύσιμα.

Ρύθμιση του καρμπρατέρ (F14)

Το καρμπρατέρ στο εργαλείο σας έχει ρυθμιστεί από το εργοστάσιο αλλά μπορεί να χρειαστεί μια μικρή ρύθμιση λόγω των αλλαγών στις συνθήκες λειτουργίας. Πριν να ρυθμίσετε το καρμπρατέρ σιγουρευτείτε ότι το φίλτρο αέρος είναι καθαρό και ότι η βενζίνη έχει την κατάλληλη αναλογία λαδιού.

Όταν ρυθμίζετε ακολουθήστε τα παρακάτω βήματα:

Σημείωση: Σιγουρευτείτε ότι ρυθμίσατε το καρμπρατέρ με την αλυσίδα τοποθετημένη.

1. Σταματήστε την μηχανή και βιδώστε τις βίδες H και L μέχρι να σταματήσουν. Μην τις πιέσετε. Και μετά γυρίστε τις βίδες τις ίδιες στροφές προς τα πίσω με την βοήθεια του παρακάτω πίνακα.

	4500	5200
Βελόνα H	1 ± 3/8	1 ± 3/8
Βελόνα L	1 1/4 ± 1/4	1 1/2 ± 1/4

2. Ξεκινήστε την μηχανή και αφήστε την να ζεσταθεί.

3. Γυρίστε τη βίδα L σιγά σιγά προς τα δεξιά για να βρείτε το σημείο που το ρελαντί είναι στο μέγιστο και γυρίστε την βίδα ένα τέταρτο προς τα αριστερά.

4. Γυρίστε την βίδα T προς τα αριστερά έτσι ώστε να μην δουλεύει η αλυσίδα. Εάν το ρελαντί είναι πολύ χαμηλό γυρίστε την βίδα προς τα δεξιά.

5. Κάντε ένα δοκιμαστικό κόψιμο και ρυθμίστε την βίδα H για καλύτερη δύναμη κοπής.

(1) Βελόνα H

(2) Βελόνα L

(3) Ρεγουλατόρος

Αντιψυκτικός μηχανισμός καρμπρατέρ

Η λειτουργία του αλυσοπρίονου σε θερμοκρασίες 0-5 °C σε περιόδους υψηλής υγρασίας μπορεί να προκαλέσει σχηματισμό πάγου μέσα στο καρμπρατέρ και αυτό με τη σειρά του μπορεί να προκαλέσει προβλήματα στην λειτουργία του κινητήρα.

Το μηχανήμα έχει σχεδιαστεί έτσι ώστε με μια θυρίδα αερισμού να καλύπτει το πίσω μέρος του καλύμματος του φίλτρου αέρα, ώστε να διευκολύνεται η παροχή θερμού αέρα στον κινητήρα και έτσι να αποφεύγεται η δημιουργία πάγου.

Υπό κανονικές συνθήκες, το προϊόν πρέπει να χρησιμοποιείται με στην κανονική θέση λειτουργίας, δηλ. στην θέση που βρίσκεται κατά την στιγμή της παράδοσής του. Ωστόσο, όταν υπάρχει η πιθανότητα να εμφανιστεί πάγος, το μηχανήμα πρέπει να ρυθμιστεί ώστε να λειτουργεί σε λειτουργία κατά της ψύξης πριν από τη χρήση.

Προσοχή!

Η συνέχεια της χρήσης του μηχανήματος σε λειτουργία κατά του πάγου όταν οι θερμοκρασία έχει επανέλθει στα φυσιολογικά επίπεδα μπορεί να δημιουργήσει προβλήματα στην εκκίνηση και την λειτουργία του μηχανήματος. Ρυθμίστε το μηχανήμα ξανά στην αρχική του λειτουργία όταν η θερμοκρασία βρίσκεται σε φυσιολογικά επίπεδα.

Αλλαγή μεταξύ των θέσεων λειτουργίας (F16)

1. Απενεργοποιήστε το μηχανήμα μέσω του διακόπτη.

2. Αφαιρέστε το καπάκι του φίλτρου αέρα και το έλασμα που βρίσκεται στο πίσω μέρος του.

3. Συνδέστε το έλασμα στην αριστερή πλευρά έτσι ώστε το έλασμα του αντιψυκτικού μηχανισμού να βρίσκεται στα δεξιά.

4. Επανατοποθετήστε το καπάκι.

(4) Κανονική ρύθμιση λειτουργίας

(1) Καπάκι φίλτρου αέρα.

(5) Ρύθμιση λειτουργίας κατά του πάγου

(2) Έλασμα αντιψυκτικού μηχανισμού

(6) Έλασμα

(3) Βίδα

Σημείωση: Σε περίπτωση που χρησιμοποιείτε το μηχάνημα υπό συνθήκες χιονόπτωσης. Προτείνουμε να χρησιμοποιήσετε ένα ειδικό εξάρτημα προστασίας για το χιόνι, έτσι ώστε να προστατεύεται το φίλτρο αέρα από τον πάγο. (F17)

(1) Εξάρτημα προστασίας φίλτρου (δεν περιλαμβάνεται).

Φρένο αλυσίδας (F18)

Το φρένο μπορεί να τεθεί σε λειτουργία χειροκίνητα με τον εμπρόσθιο προφυλακτήρα κατεβασμένο προς τα κάτω.

Για να απελευθερώσετε το φρένο, τραβήξτε τον προφυλακτήρα προς τα πάνω προς την κατεύθυνση της χειρολαβής μέχρι να ακούσετε ότι ασφαλίζει.

(1) Φρένο

(2) Ανενεργό

(3) Ενεργό

Ελέγχετε την λειτουργική κατάσταση του φρένου επί καθημερινής βάσης.

Σε περίπτωση που το φρένο δεν λειτουργεί σωστά, παραδώστε το μηχάνημα σε ένα εξουσιοδοτημένο τμήμα Service. Ο κινητήρας, εάν περιστρέφεται σε υψηλή ταχύτητα με το φρένο ενεργοποιημένο, οδηγεί στην υπερθέρμανση του συμπλέκτη, προκαλώντας προβλήματα.

Σε περίπτωση που ενεργοποιηθεί το φρένο όταν ο κινητήρας βρίσκεται σε λειτουργία αφήστε τα δάκτυλά σας από το μοχλό γκαζιού και κρατήστε τον κινητήρα σε κατάσταση ρελαντί.

Διακόπτοντας την λειτουργία του κινητήρα

1. Απελευθερώστε το μοχλό του γκαζιού και επιτρέψτε στον κινητήρα να λειτουργήσει στο ρελαντί για λίγα λεπτά.

2. Γυρίστε τον διακόπτη στην θέση 0 (STOP) (F20).

1. Διακόπτης

Προσοχή!

Πριν ξεκινήσετε την εργασία σας διαβάστε όλες τις οδηγίες ασφαλείας. Αυτό σας βοηθάει να γνωρίσετε καλύτερα το μηχάνημά σας. Ακολουθήστε τις οδηγίες ασφαλείας. Η αλυσίδα θα πρέπει να χρησιμοποιείται μόνο για την κοπή ξύλων. Απαγορεύεται να κόψετε άλλα υλικά. Οι κραδασμοί και η ανάκρουση διαφέρει ανάλογα με το υλικό και τις απαιτήσεις. Μην χρησιμοποιείτε το μηχάνημα για μοχλό ανύψωσης, μετακίνηση ή διαχωρισμό αντικειμένων. Μην το τοποθετήσετε σε σταθερή βάση. Απαγορεύεται να λειτουργείτε το μηχάνημα με άλλο τρόπο από αυτόν που σας προτείνει ο κατασκευαστής. Μην ασκείτε δύναμη στο μηχάνημα για να πραγματοποιήσει την κοπή. Εάν κολλήσει το πριόνι κατά την κοπή μην επιχειρήσετε να το τραβήξετε αλλά χρησιμοποιήστε μια σφήνα για να ανοίξετε τον δρόμο.

Συμβουλές ασφαλείας κατά της ανάκρουσης (F21)

Είναι πολύ σημαντικό να ελέγχετε το φρένο και την αλυσίδα πριν από κάθε χρήση. Η αλυσίδα θα πρέπει πάντα να είναι αιχμηρή για να μειώσει τον κίνδυνο τραβηγμάτων. Η αφαίρεση εργαλείων ασφάλειας, η κακή συντήρηση ή η λάθος τοποθέτηση των εξαρτημάτων αυξάνει την πιθανότητα τραυματισμού.

Προειδοποίηση: Μην στέκεστε πάνω σε ασταθείς επιφάνειες ή σκάλες.

Μην τεντώνετε για να φτάσετε σε ψηλότερα σημεία.

Μην κόβετε πάνω από το ύψος των ώμων σας.

Χρησιμοποιείτε πάντα τα δύο σας χέρια για να πιάσετε το πριόνι.

Συντήρηση

Προειδοποίηση: Πριν από τον καθαρισμό, τον έλεγχο ή την επισκευή του αλυσοπριονίου, βεβαιωθείτε ότι ο κινητήρας έχει απενεργοποιηθεί και ότι έχει κρυώσει.

Αποσυνδέστε το μπουζοκαλώδιο για να αποφύγετε την ακούσια εκκίνηση.

Συντήρηση μετά από κάθε χρήση

1. Φίλτρο αέρος

Η σκόνη από την επιφάνεια καθαρισμού μπορεί να απομακρυνθεί χτυπώντας ελαφρά την γωνία της επιφάνειας προς μια σκληρή επιφάνεια. Για να καθαρίσετε χώμα μέσα από το φίλτρο ανοίξτε το κάλυμμά του στα δυο και καθαρίστε με πετρέλαιο η φυσήστε το με πεπιεσμένο αέρα με κατεύθυνση από την εσωτερική προς την εξωτερική πλευρά του (F27).

Για να ενώσετε τα δύο τμήματα μεταξύ τους πιέστε τα πλαίσια τους μέχρι να ασφαλίσουν μεταξύ τους.

Σημείωση: Κατά την τοποθέτηση του φίλτρου, βεβαιωθείτε ότι οι αυλακώσεις στην άκρη του φίλτρου ταιριάζουν σωστά με τις προεξοχές στο κάλυμμα του κυλίνδρου.

2. Οπή συστήματος λίπανσης

Αποσυνδέστε την λάμα κοπής και ελέγξτε την οπή για μπλοκάρισμα (F28).

(1) Οπή συστήματος λίπανσης

3. Λάμα κοπής

Όταν η λάμα κοπής αποσυναρμολογηθεί, αφαιρέστε τα υπολείμματα που βρίσκονται στην αυλάκωση της λάμας και στη οπή του συστήματος λίπανσης λαδιού (F29).

Λιπάνετε τον οδοντωτό τροχό από την οπή που βρίσκεται στην άκρη της λάμας (F30).

- (1) Οπή λίπανσης
- (2) Οπή γρασαρίσματος
- (3) Γρανάζι

4. Λοιπά

Πραγματοποιήστε έναν έλεγχο για διαρροή καυσίμου καθώς επίσης και για εξαρτήματα σύνδεσης που ενδεχομένως να χρειάζονται σφίξιμο, για εξαρτήματα που παρουσιάζουν κάποια βλάβη και για να ελέγξετε αν οι λαβές είναι σωστά τοποθετημένες. Εάν εντοπίσετε εξαρτήματα που παρουσιάζουν κάποιο πρόβλημα οποιαδήποτε λάθη δώστε το πριόνι για επισκευή πριν να το χρησιμοποιήσετε ξανά.

Περιοδική συντήρηση

1. Πτερύγια ψύξης κυλίνδρου

Η συσσώρευση σκόνης ανάμεσα στις εγκοπές του κυλίνδρου μπορεί να προκαλέσει υπερθέρμανση της μηχανής. Ελέγξτε και καθαρίστε περιοδικά τις εγκοπές αυτές αφού αφαιρέσετε το φίλτρο αέρος και το κάλυμμα του κυλίνδρου. Όταν εισάγετε το κάλυμμα του κυλίνδρου σιγουρευτείτε ότι τα καλώδια είναι τοποθετημένα στα σωστά σημεία. (F31)

Σημείωση: Βεβαιωθείτε πως έχετε καλύψει την εισαγωγή του κυλίνδρου ώστε να μην επιτρέψετε σε σκόνη και ξένα σώματα να εισχωρήσουν στο εσωτερικό του κυλίνδρου.

2. Φίλτρο καυσίμου

Χρησιμοποιώντας ένα συρμάτινο γάντζο αφαιρέστε το φίλτρο από την εισαγωγή φίλτρου. (F32)

- (1) Φίλτρο καυσίμου

Αποσυναρμολογήστε το φίλτρο και καθαρίστε το με πετρέλαιο ή αντικαταστήστε το εάν είναι αναγκαίο.

3. Δοχείο λαδιού

Με ένα συρμάτινο γάντζο αφαιρέστε το φίλτρο λαδιού και καθαρίστε το με πετρέλαιο. Όταν τοποθετείτε ξανά το φίλτρο σιγουρευτείτε ότι έρχεται στην μπροστινή δεξιά γωνία (F33)

- (2) φίλτρο λαδιού

4. Μπουζί (F34)

Καθαρίστε τις ακίδες με μια βούρτσα και ρυθμίστε το διάκενο (0.6~0.7mm) εάν κρίνεται απαραίτητο.

5. Γρανάζι (F35)

Ελέγξτε για φθορά στο γρανάζι της αλυσίδας. Εάν η φθορά είναι μεγάλη αλλάξτε το γρανάζι για καλύτερη λειτουργία. Σε περίπτωση που η αλυσίδα ή το γρανάζι έχουν υποστεί εκτεταμένη φθορά θα πρέπει να αντικατασταθούν μαζί.

6. Εμπρόσθια και οπίσθια αντικραδασμικά

Αλλάξτε εάν έχουν φθαρεί εκτεταμένα και έχουν παρουσιάσει ρωγμές στο λάστιχο τους.

Συντήρηση αλυσίδας και λάμας κοπής

Αλυσίδα

Είναι πολύ σημαντικό για απαλή και ασφαλές λειτουργία τα δόντια της αλυσίδας να είναι αιχμηρά.

Πρέπει να λιμάρετε την αλυσίδα όταν:

- Η σκόνη γίνεται σαν πούδρα.
- Απαιτείται να βάζετε παραπάνω πίεση για να κόψετε το ξύλο.
- Η γραμμή κοπής δεν είναι ευθεία.
- Αυξάνονται οι κραδασμοί.
- Αυξάνεται η κατανάλωση καυσίμου.

Προσοχή! Φορέστε γάντια ασφαλείας.

Λάμα κοπής

Αντιστρέψτε την λάμα κατά καιρούς για να μειώσετε την φθορά.

Η ράγα της λάμας θα πρέπει πάντα να είναι τετραγωνισμένη.

Ελέγξτε και εντοπίστε τα σημεία που έχουν φθαρεί.

Τοποθετήστε ένα χάρακα πάνω στην μπάρα και στην εξωτερική πλευρά της αλυσίδας.

Εάν δημιουργείται κενό μεταξύ τους η ράγα είναι σε καλή κατάσταση. Σε αντίθετη περίπτωση η ράγα έχει υποστεί εκτεταμένη φθορά.

Εάν η λάμα βρίσκεται στην κατάσταση που περιγράφηκε παραπάνω χρήζει αντικατάστασης (F39).

Αντιμετώπιση πιθανών προβλημάτων

Περίπτωση 1. Αποτυχία εκκίνησης

Βεβαιωθείτε ότι το σύστημα προστασίας κατά του πάγου δεν βρίσκεται σε λειτουργία.

Ελέγξτε το καύσιμο για νερό ή μείγμα κακής ποιότητας.



Αντικαταστήστε με κατάλληλο καύσιμο.



Ελέγξτε για υπερχειλίση του κινητήρα



Αφαιρέστε και στεγνώστε το μπουζί.
Στη συνέχεια τραβήξτε ξανά τη χειρόμιζα χωρίς τσόκ.



Ελέγξτε την κατάσταση/ποιότητα της ανάφλεξης.



Αντικαταστήστε με ένα νέο μπουζί.

Περίπτωση 2. Έλλειψη ισχύος / Πρόβλημα στην επιτάχυνση / πρόβλημα στο ρελαντί.

Ελέγξτε το καύσιμο για νερό ή μείγμα κακής ποιότητας.



Αντικαταστήστε με κατάλληλο καύσιμο.



Ελέγξτε το φίλτρο αέρα και το φίλτρο καυσίμου για φράξιμο.



Καθαρισμός.



Ελέγξτε το καρμπυρατέρ για ανεπαρκή ρύθμιση.



Αντικαταστήστε τις βελόνες.

Περίπτωση 3. Το λάδι δεν εξάγεται.

Ελέγξτε για λάδι κακής ποιότητας.



Αντικαταστήστε.



Ελέγξτε τα σημεία διέλευσης του λαδιού για μπλοκάρισμα.



Καθαρισμός.

Όταν το αλυσοπρίονο σας φαίνεται να χρειάζεται περαιτέρω ενέργειες επισκευής ή συντήρησης, συμβουλευτείτε το κατάστημα αγοράς του προϊόντος ή παραδώστε το αλυσοπρίονο για επισκευή από το εξουσιοδοτημένο τμήμα Service.

Τεχνικά Χαρακτηριστικά

Μοντέλο:	PC4600	PC5600	PC6700
Κυβισμός	45cc	50cc	56.3cc
Ιπποδύναμη:	2,45hp	2.6hp	3.8hp
Μήκος λάμας:	45cm	50cm	55cm
Αλυσίδα κοπής:	0.325", 1,3mm	0,325" 1,5mm	0,325" 1,5mm

*Ο κατασκευαστής διατηρεί το δικαίωμα να πραγματοποιήσει δευτερεύουσες αλλαγές στο σχεδιασμό του προϊόντος και στα τεχνικά χαρακτηριστικά χωρίς προηγούμενη ειδοποίηση, εκτός εάν οι αλλαγές αυτές επηρεάζουν σημαντικά την απόδοση και λειτουργία ασφαλείας των προϊόντων. Τα εξαρτήματα που περιγράφονται / απεικονίζονται στις σελίδες του εγχειριδίου που κρατάτε στα χέρια σας ενδέχεται να αφορούν και σε άλλα μοντέλα της σειράς προϊόντων του κατασκευαστή, με παρόμοια χαρακτηριστικά, και ενδέχεται να μην περιλαμβάνονται στο προϊόν που μόλις αποκτήσατε.

* Λάβετε υπόψη ότι ο εξοπλισμός μας δεν έχει σχεδιαστεί για χρήση σε εμπορικές, επαγγελματικές ή βιομηχανικές εφαρμογές. Η εγγύησή μας θα ακυρωθεί αν το προϊόν χρησιμοποιείται σε εμπορικές, επαγγελματικές ή βιομηχανικές επιχειρήσεις ή για ανάλογους σκοπούς.

* Για να διασφαλιστεί η ασφάλεια και η αξιοπιστία του προϊόντος καθώς και η ισχύς της εγγύησης όλες οι εργασίες επιδιόρθωσης, ελέγχου, επισκευής ή αντικατάστασης συμπεριλαμβανομένης της συντήρησης και των ειδικών ρυθμίσεων, πρέπει να εκτελούνται μόνο από τεχνικούς του εξουσιοδοτημένου τμήματος Service του κατασκευαστή.

