

BORMANN®



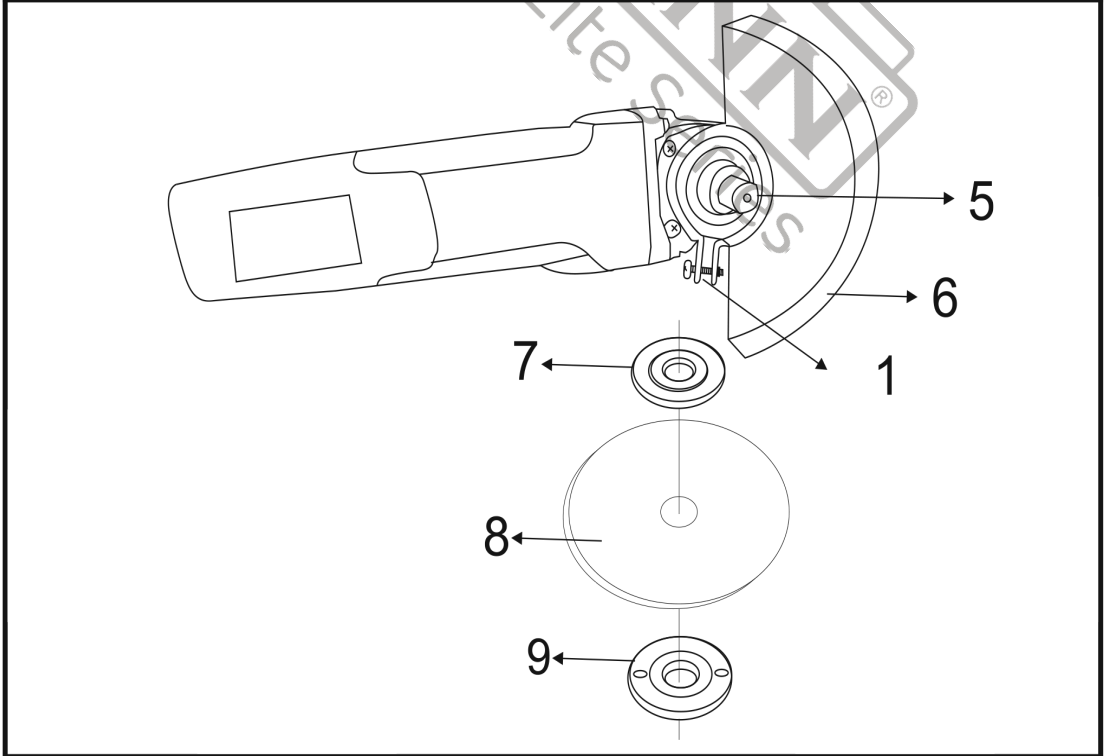
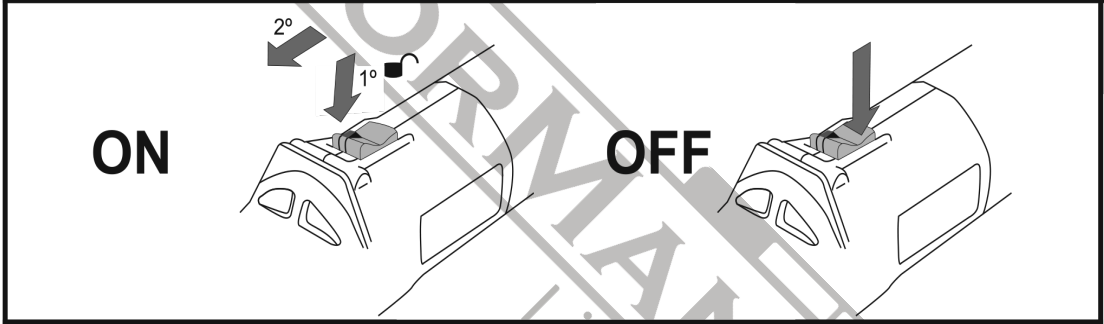
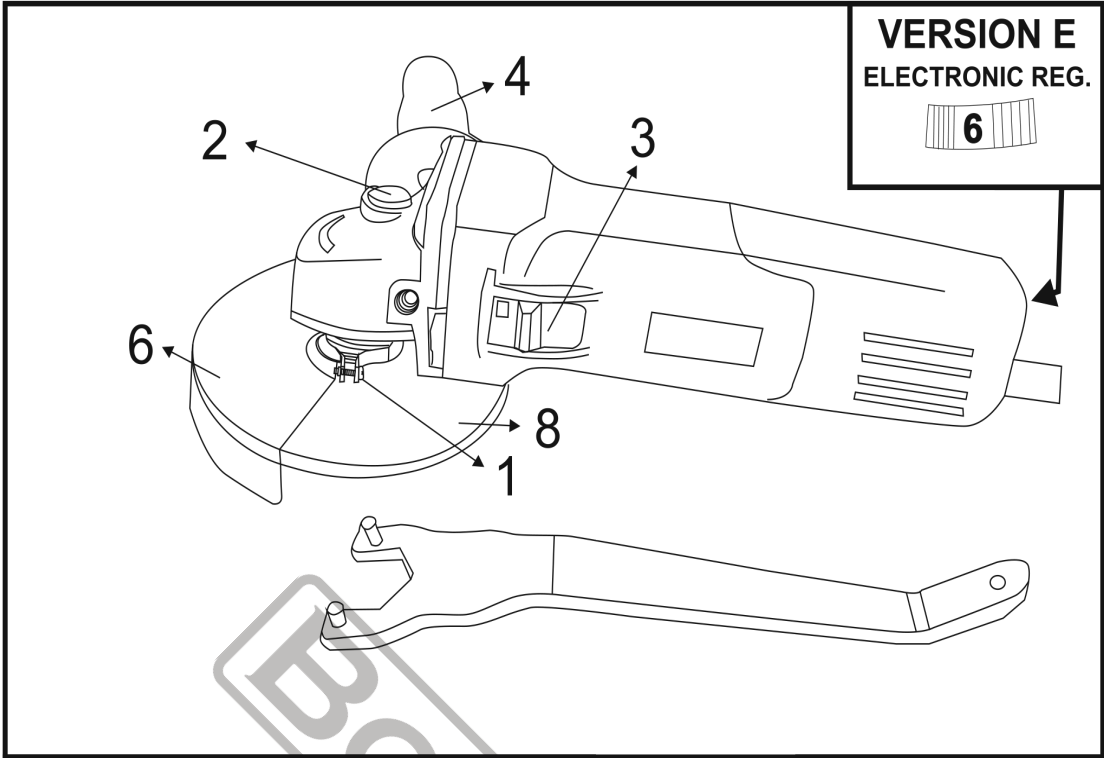
BAG7800

042334



WWW.BORMANNTOOLS.COM

2 YEARS
WARRANTY



1. Machine-specific Safety Warnings

1.1. Safety Warnings Common for Grinding, Sanding, Wire Brushing or Abrasive Cutting-Off Operations

This power tool is intended to function as a grinder, sander, wire brush or cut-off tool. Read all safety warnings, instructions, illustrations and specifications provided with this power tool. Failure to follow all instructions listed below may result in electric shock, fire and/or serious injury.

This power tool is not recommended for polishing. Operations for which the power tool was not designed may create a hazard and cause personal injury.

Do not use accessories which are not specifically designed and recommended by the tool manufacturer. Just because the accessory can be attached to your power tool, it does not assure safe operation.

The rated speed of the accessory must be at least equal to the maximum speed marked on the power tool. Accessories running faster than their rated speed can break and fly apart.

The outside diameter and the thickness of your accessory must be within the capacity rating of your power tool. Incorrectly sized accessories cannot be adequately guarded or controlled.

The arbor size of wheels, flanges, backing pads or any other accessory must properly fit the spindle of the power tool. Accessories with arbor holes that do not match the mounting hardware of the power tool will run out of balance, vibrate excessively and may cause loss of control.

Do not use a damaged accessory. Before each use, inspect the accessory such as abrasive wheels for chips and cracks, backing pads for cracks, tears or excess wear, wire brushes for loose or cracked wires. If power tool or accessory is dropped, inspect for damage or install an undamaged accessory. After inspecting and installing an accessory, position yourself and bystanders away from the plane of the rotating accessory and run the power tool at maximum no-load speed for one minute. Damaged accessories will normally break apart during this test time.

Wear personal protective equipment. Depending on application, use face shield, safety goggles or safety glasses. As appropriate, wear dust mask, hearing protectors, gloves and workshop apron capable of stopping small abrasive or workpiece fragments. The eye protection must be capable of stopping flying debris generated by various operations. The dust mask or respirator must be capable of filtering particles generated by your operation. Prolonged exposure to high intensity noise may cause hearing loss.

Keep bystanders a safe distance away from the work

area. Anyone entering the work area must wear personal protective equipment. Fragments of workpiece or of a broken accessory may fly away and cause injury beyond immediate area of operation.

Hold the power tool only by the insulated gripping surfaces when performing an operation where the cutting accessory may contact hidden wiring or its own cord. Contact with a "live" wire will also make exposed metal parts of the power tool "live" and shock the operator.

Position the cord clear of the spinning accessory. If you lose control of the power tool, the cord may be cut or snagged and your hand or arm may be pulled into the spinning accessory.

Never lay the power tool down until the accessory has come to a complete stop. The spinning accessory may grab the surface and pull the power tool out of your control.

Do not run the power tool while carrying it at your side. Accidental contact with the spinning accessory could snag your clothing, pulling the accessory into your body.

Regularly clean the power tool's air vents. The motor's fan will draw the dust inside the housing and excessive accumulation of powdered metal may cause electrical hazards.

Do not operate the power tool near flammable materials. Sparks could ignite these materials.

Do not use accessories that require liquid coolants. Using water or other liquid coolants may result in electrocution or shock.

1.2. Kickback and related warnings

Kickback is a sudden reaction to a pinched or snagged rotating wheel, backing pad, brush or any other accessory. Pinching or snagging causes rapid stalling of the rotating accessory which in turn causes the uncontrolled power tool to be forced in the direction opposite of the accessory's rotation at the point of the binding.

For example, if an abrasive wheel is snagged or pinched by the workpiece, the edge of the wheel that is entering into the pinch point can dig into the surface of the material causing the wheel to climb out or kick out. The wheel may either jump toward or away from the operator, depending on direction of the wheel's movement at the point of pinching. Abrasive wheels may also break under these conditions. Kickback is the result of power tool misuse and/or incorrect operating procedures or conditions and can be avoided by taking proper precautions as given below.

Maintain a firm grip on the power tool and position your body and arm to allow you to resist kickback forces. Always use auxiliary handle, if provided, for maximum control over kickback or torque reaction during start-up. The operator can control torque reactions or kickback forces, if proper precautions are taken.

Never place your hand near the rotating accessory. The accessory may kickback over your hand.

Do not position your body in the area where the power

tool will move if kickback occurs. Kickback will propel the tool in the direction opposite to the wheel's movement at the point of snagging.

Use special care when working corners, sharp edges, etc. Avoid bouncing and snagging the accessory. Corners, sharp edges or bouncing have a tendency to snag the rotating accessory and cause loss of control or kickback.

Do not attach a saw chain woodcarving blade or toothed saw blade. Such blades create frequent kickback and loss of control over the power tool.

1.3. Additional safety instructions for grinding and cutting off operations

Use only wheel types that are recommended for your power tool and the specific guard designed for the selected wheel. Wheels for which the power tool was not designed cannot be adequately guarded and are unsafe.

The guard must be securely attached to the power tool and positioned for maximum safety, so the least amount of wheel is exposed towards the operator. The guard helps to protect operator from broken wheel fragments and accidental contact with wheel.

Wheels must be used only for recommended applications. For example: do not grind with the side of the cut-off wheel. Abrasive cut-off wheels are intended for peripheral grinding; side forces applied to these wheels may cause them to shatter.

Always use undamaged wheel flanges that are of correct size and shape for your selected wheel. Proper wheel flanges support the wheel thus reducing the possibility of wheel breakage. Flanges for cut-off wheels may be different from grinding wheel flanges.

Do not use worn down wheels from larger power tools. Wheels intended for larger power tools are not suitable for the higher speed of a smaller tool and may burst.

1.4. Additional safety warnings specific for abrasive cutting off operations

Do not "jam" the cut-off wheel or apply excessive pressure. Do not attempt to make an excessive depth of cut. Overstressing the wheel increases the loading and susceptibility to twisting or binding of the wheel in the cut and the possibility of kickback or wheel breakage.

Do not position your body in line with and behind the rotating wheel. When the wheel, at the point of operation, is moving away from your body, the possible kickback may propel the spinning wheel and the power tool directly at you.

When wheel is binding or when interrupting a cut for any reason, switch off the power tool and hold the power tool motionless until the wheel comes to a complete stop. Never attempt to remove the cut-off wheel from the cut while the wheel is in motion, otherwise kickback may occur. Investigate and take corrective action to eliminate the cause of wheel binding.

Do not restart the cutting operation in the workpiece.

Let the wheel reach full speed and carefully reenter the cut. The wheel may bind, walk up or kickback if the power tool is restarted in the workpiece.

Support panels or any oversized workpiece to minimize the risk of wheel pinching and kickback. Large workpieces tend to sag under their own weight. Supports must be placed under the workpiece near the line of cut and near the edge of the workpiece on both sides of the wheel.

Use extra caution when making a "pocket cut" into existing walls or other blind areas. The protruding wheel may cut gas or water pipes, electrical wiring or objects that can cause kickback.

1.5. Safety warnings specific for sanding operations

Do not use excessively oversized sanding disc paper. Follow manufacturers recommendations, when selecting sanding paper. Larger sanding paper extending beyond the sanding pad presents a laceration hazard and may cause snagging, tearing of the disc, or kickback.

1.6. Safety warnings specific for wire brushing operations

Be aware that wire bristles are thrown by the brush even during ordinary operation. Do not overstress the wires by applying excessive load to the brush. The wire bristles can easily penetrate light clothing and/or skin.

If the use of a guard is recommended for wire brushing, do not allow any interference of the wire wheel or brush with the guard. Wire wheel or brush may expand in diameter due to work load and centrifugal forces.

1.7. Additional safety warnings



Wear safety goggles.

Use suitable detectors to determine if utility lines are hidden in the work area or call the local utility company for assistance. Contact with electric lines can lead to fire and electric shock. Damaging a gas line can lead to explosion. Penetrating a water line causes property damage or may cause an electric shock.

Release the On/Off switch and set it to the off position when the power supply is interrupted, e. g., in case of a power failure or when the mains plug is pulled. This prevents uncontrolled restarting. When working stone, use dust extraction. The vacuum cleaner must be approved for the extraction of stone dust. Using this equipment reduces dust-related hazards.

When working with the machine, always hold it firmly with both hands and provide for a secure stance. The power tool is guided more secure with both hands.

When working with the machine, always hold it firmly with both hands and provide for a secure stance. The power tool is guided more secure with both hands.

Secure the workpiece. A workpiece clamped with clamping devices or in a vice is held more secure than by hand.

Keep your workplace clean. Blends of materials are particularly dangerous. Dust from light alloys can burn or explode.

Never use the machine with a damaged cable. Do not touch the damaged cable and pull the mains plug when the cable is damaged while working. Damaged cables increase the risk of an electric shock.

2. Functional Description



Read all safety warnings and all instructions. Failure to follow the warnings and instructions may result in electric shock, fire and/or serious injury.

2.1. Intended Use

The machine is intended for cutting, roughing, and brushing metal and stone materials without using water.

With approved sanding tools, the machine can be used for sanding with sanding discs.

2.2. Product Features

The numbering of the product features refers to the illustration of the machine on the graphics page.

- 1 Release screw for protection guard
- 2 Spindle lock button
- 3 On/Off switch
- 4 Auxiliary handle
- 5 Grinder spindle
- 6 Protection guard for sanding
- 7 Mounting flange
- 8 Grinding/cutting disc
- 9 Clamping nut

2.3. Noise/Vibration Information

We reserve the right to undertake modifications to reflect technical advances.

D_{max} = maximum grinding disc diameter

n = no-load speed

M = spindle thread

P_1 = rated input

a_{hw} = typically rated acceleration in the hand-arm area

Typical A-rated acoustic level:

L_{PA} = acoustic pressure level

L_{WA} = acoustic power level

During operation, the acoustic level may exceed 85 dB(A).



Wear ear protectors!

m = Mass

Measures values established according to EN 60745.

The stated technical specifications are subject to tolerances (as specified in the respective current standards.)

3. Assembly

3.1. Mounting the Protective Devices



Before any work on the machine itself, pull the mains plug.

Protection Guard for Sanding

Place the protection guard **6** onto the spindle collar of the machine until the encoding keys of the protection guard agree with the spindle collar. Press and hold the release screw **1** while doing this.

Adjust the position of the protection guard **6** to the requirements of the work process. For this, release screw **1** upward and turn the protection guard **6** to the required position.

Adjust the protection guard **6** in such a manner that sparking is prevented in the direction of the operator.

The protection guard **6** may be turned only upon actuation of the release screw **1**! Otherwise the power tool may not continue to be used under any circumstances and must be taken to an after-sales service agent.

Auxiliary Handle

Operate your machine only with the auxiliary handle 4.

Screw the auxiliary handle **4** on the right or left of the machine head depending on the working method.

3.2. Mounting the Grinding Tools



Before any work on the machine itself, pull the mains plug.

Grinding and cutting discs become very hot while working; do not touch until they have cooled.

Clean the grinder spindle **5** and all parts to be mounted. For clamping and loosening the grinding tools, lock the grinder spindle with the spindle lock button **2**.

Actuate the spindle lock button only when the grinder spindle is at a standstill. Otherwise, the machine may become damaged.

Grinding/Cutting Disc

Pay attention to the dimensions of the grinding tools. The mounting hole diameter must fit the mounting flange without play. Do not use reducers or adapters.

When using diamond cutting discs, pay attention that the direction-of-rotation arrow on the diamond cutting disc and

the direction of rotation of the machine (see direction-of-rotation arrow on the machine head) agree. (7→8→9)

See graphics page for the mounting sequence. To fasten the grinding/cutting disc, screw on the clamping nut **9** and tighten with the twohole spanner.

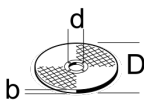
After mounting the grinding tool and before switching on, check that the grinding tool is correctly mounted and that it can turn freely. Make sure that the grinding tool does not graze against the protection guard or other parts.

3.3. Approved Grinding Tools

All grinding tools mentioned in these operating instructions can be used.

The permissible speed [rpm] or the circumferential speed [m/s] of the grinding tools used must at least match the values given in the table.

Therefore, observe the permissible rotational/circumferential speed on the label of the grinding tool.

	máx		D	b	d	[min ⁻¹]	[m/s]
	[mm]	[mm]					
	115	6	22,2	11000	80		
	125	6	22,2	10500	80		

3.4. Dust/Chip Extraction

Dusts from materials such as lead-containing coatings, some wood types, minerals and metal can be harmful to one's health. Touching or breathing-in the dusts can cause allergic reactions and/or lead to respiratory infections of the user or bystanders.

Certain dusts, such as oak or beech dust, are considered as carcinogenic, especially in connection with wood-treatment additives (chromate, wood preservative). Materials containing asbestos may only be worked by specialists.

- Use dust extraction whenever possible.
- Provide for good ventilation of the working place.
- It is recommended to wear a P2 filterclass respirator.

Observe the relevant regulations in your country for the materials to be worked.

4.- Operation

4.1.- Starting Operation

Observe correct mains voltage! The voltage of the power source must agree with the voltage specified on the nameplate of the machine. Power tools marked with 230 V can also be operated with 220 V.

When operating the machine with power from mobile generators that do not have sufficient reserve capacity or are not equipped with suitable voltage control with starting current amplification, loss of performance or untypical behavior can occur upon switching on.

Please observe the suitability of the power generator being used, particularly with regard to the mains voltage and frequency.

Switching On and Off

To **start** the power tool, push the On/Off switch **3** forwards.

To **lock** the On/Off switch **3**, press the On/Off switch **3** down at the front until it latches.

To **switch off** the power tool, release the On/Off switch **3** or, if it is locked, briefly push down the back of the On/Off switch **3** and then release it.

Check grinding tools before using. The grinding tool must be mounted properly and be able to move freely. Carry out a test run for at least one minute with no load. Do not use damaged, out-of-centre or vibrating grinding tools. Damaged grinding tools can burst and cause injuries.

4.2. Working Advice

- Exercise caution when cutting slots in structural walls; see Section "Information on Structures".
- Clamp the workpiece if it does not remain stationary due to its own weight.
- Do not strain the machine so heavily that it comes to a standstill.
- Grinding and cutting discs become very hot while working; do not touch until they have cooled.

Rough Grinding

Never use a cutting disc for roughing.

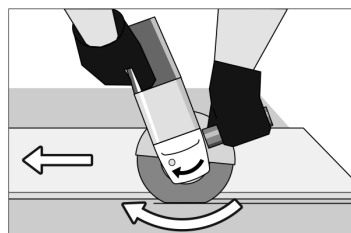
The best roughing results are achieved when setting the machine at an angle of 30° to 40°. Move the machine back and forth with moderate pressure. In this manner, the workpiece will not become too hot, does not discolour and no grooves are formed.

Cutting Metal

When cutting, work with moderate feed, adapted to the material being cut. Do not exert pressure onto the cutting disc, tilt or oscillate the machine.

Do not reduce the speed of running down cutting discs by applying sideward pressure.

The machine must always work in an up-grinding motion.



Otherwise, the danger exists of it being pushed uncontrolled out of the cut.

When cutting profiles and square bar, it is best to start at the smallest cross section.

Cutting Stone

The machine may be used only for dry cutting/grinding.

For cutting stone, it is best to use a diamond cutting disc. Switch on the machine and place the front part of the cutting guide on the workpiece. Slide the machine with moderate feed, adapted to the material to be worked.

For cutting especially hard material, e. g., concrete with high pebble content, the diamond cutting disc can overheat and become damaged as a result. This is clearly indicated by circular sparking, rotating with the diamond cutting disc.

In this case, interrupt the cutting process and allow the diamond cutting disc to cool by running the machine for a short time at maximum speed with no load.

Noticeable decreasing work progress and circular sparking are indications of a diamond cutting disc that has become dull. Briefly cutting into abrasive material (e. g. lime-sand brick) can sharpen the disc again.

Information on Structures

Slots in structural walls are subject to the Standard DIN 1053 Part 1, or country-specific regulations.

These regulations are to be observed under all circumstances. Before beginning work, consult the responsible structural engineer, architect or the construction supervisor.

5. Maintenance and Service

5.1. Maintenance and Cleaning

Before any work on the machine itself, pull the mains plug.

For safe and proper working, always keep the machine and ventilation slots clean.

In extreme working conditions, conductive dust can accumulate in the interior of the machine when working with metal. The protective insulation of the machine can be degraded. The use of a stationary extraction system is recommended in such cases as well as frequently blowing out the ventilation slots and installing a residual current device (RCD).

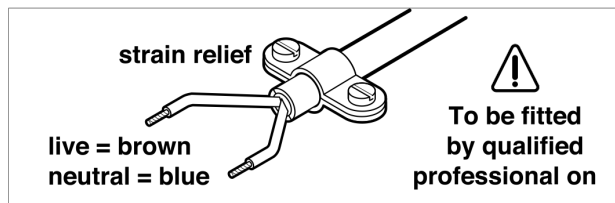
Please store and handle the accessory(-ies) carefully.

If the machine should fail despite the care taken in manufacturing and testing procedures, repair should be carried out by an after-sales service centre for Stayer power tools.

In all correspondence and spare parts order, please always include article number given on the type plate of the machine.

WARNING! Important instructions for connecting a new 3-pin plug to the 2-wire cable.

The wires in the cable are coloured according to the following code:



Do not connect the blue or brown wire to the earth terminal of the plug. Important: If for any reason the moulded plug is removed from the cable of this power tool, it must be disposed of safely.

5.2. After-sales Service and Customer Assistance

Our after-sales service responds to your questions concerning maintenance and repair of your product as well as spare parts. Exploded views and information on spare parts can also be found under:
www.Bormantools.com

Our customer consultants answer your questions concerning best buy, application and adjustment of products and accessories.

5.3. Disposal

The machine, accessories and packaging should be sorted for environmental-friendly recycling.

Only for EC countries:

Do not dispose of power tools into household waste!



According to the European Guideline 2002/96/EC for Waste Electrical and Electronic Equipment and its implementation into national law, power tools that are no longer usable must be collected separately and disposed of in an environmentally correct manner.

Subject to change without notice.

* The manufacturer reserves the right to make minor changes to product design and technical specifications without prior notice unless these changes significantly affect the performance and safety of the products. The parts described / illustrated in the pages of the manual that you hold in your hands may also concern other models of the manufacturer's product line with similar features and may not be included in the product you just acquired.

* Please note that our equipment has not been designed for use in commercial, trade or industrial applications. Our warranty will be voided if the machine is used in commercial, trade or industrial businesses or for equivalent purposes.

* To ensure the safety and reliability of the product and the warranty validity, all repair, inspection, repair or replacement work, including maintenance and special adjustments, must only be carried out by technicians of the authorized service department of the manufacturer.

Technical Data

Rated voltage: 230V/120V

Frequency: 50/60HZ

Input power: 840W

No load speed: 0-11000RPM

Disk Diameter: 125mm

1. Προειδοποιήσεις ασφαλείας

1.1 Οδηγίες ασφαλείας λείανσης, κοπής, λείανσης με βούρτσα

Το εργαλείο αυτό προορίζεται για χρήση ως τροχός κοπής και διαφόρων τύπων λείανσης. Διαβάστε προσεκτικά όλες τις οδηγίες ασφαλείας που παρέχονται μαζί με αυτό το εγχειρίδιο οδηγιών. Η αποτυχία τήρησης των οδηγιών μπορεί να οδηγήσει σε ηλεκτροπληξία, πυρκαγιά ή και σε σοβαρούς τραυματισμούς.

Το εργαλείο αυτό δεν προτείνεται για στίλβωση. Η χρήση του εργαλείου σε εργασίες ακατάλληλες για αυτό μπορεί να είναι εξαιρετικά επικίνδυνη και να προκαλέσει τραυματισμούς.

Μην χρησιμοποιείτε παρελκόμενα αξεσουάρ εργαλείων τα οποία δεν έχουν προταθεί, σχεδιαστεί από τον κατασκευαστή και δεν προορίζονται για αυτό το εργαλείο ακόμα και αν αυτά μπορεί φαινομενικά να είναι συμβατά με αυτό.

Η ταχύτητα λειτουργίας του παρελκόμενου θα πρέπει να είναι τουλάχιστον ίση με την μέγιστη ταχύτητα λειτουργίας του εργαλείου. Παρελκόμενα τα οποία αναπτύσσουν μεγαλύτερη ταχύτητα από την αναγραφόμενη μέγιστη ταχύτητα λειτουργίας τους μπορεί να αποκολληθούν και να εκσφενδονιστούν.

Τα παρελκόμενα τα οποία δεν έχουν το σωστό μέγεθος μπορεί να παρουσιάσουν ανομοιόμορφο έλεγχο και να αναιρούν κανόνες ασφαλείας.

Τα εξαρτήματα τα οποία τοποθετούνται στον άξονα και αυτά που τον περιβάλλουν όπως είναι οι δίσκοι, οι φλάντζες, θα πρέπει να είναι απολύτως συμβατά με αυτόν. Η τοποθέτηση εξαρτημάτων τα οποία διαθέτουν οπές οι οποίες δεν ταιριάζουν με τα υπόλοιπα εξαρτήματα μπορεί να οδηγήσει σε απώλεια ελέγχου του εργαλείου καθώς μπορεί να φύγουν σταδιακά από την θέση τους.

Ποτέ μην τοποθετήσετε ένα φθαρμένο παρελκόμενο. Πριν από κάθε χρήση ελέγξτε τα παρελκόμενα αξεσουάρ για σημάδια φθοράς. Ελέγξτε τα πέλματα και τους δίσκους για ρωγμές και σπασμένα σημεία, τις φλάντζες για ρωγμές, ή άλλες ενδείξεις φθοράς και τις βούρτσες για απώλεια των συρμάτων. Σε περίπτωση που το εργαλείο πέσει από τα χέρια σας θα πρέπει να ελεγχθεί για τυχόν βλάβες και να αντικατασταθεί με ένα νέο όποιο εξάρτημα έχει υποστεί βλάβη. Μετά από τον έλεγχο και την αντικατάσταση του χαλασμένου εξαρτήματος πραγματοποιήστε λειτουργία χωρίς φορτίο διάρκειας ενός λεπτού αφού πρώτα απομακρύνετε παρευρισκόμενους και πάρτε και εσείς την κατάλληλη απόσταση ασφαλείας. Κατά την διάρκεια αυτής της δοκιμαστικής λειτουργίας τα εξαρτήματα τα οποία έχουν υποστεί βλάβες μπορεί να σπάσουν και να αποκολληθούν.

Φορέστε προσωπικά είδη προστασίας. Αναλόγως με την εργασία που πρόκειται να εκτελέσετε χρησιμοποιήστε μάσκα προστασίας, ακουστικά προστασίας, γάντια και ποδιά ικανή να σταματήσει μικρά θραύσματα και ρινίσματα που αποκαλούνται κατά την διάρκεια των εργασιών. Η μάσκα ή τα γυαλιά προστασίας θα πρέπει να έχουν την ικανότητα να σταματούν τα ρινίσματα και τα θραύσματα τα οποία εκσφενδονίζονται κατά την διάρκεια της εργασίας. Η μάσκα προστασίας θα πρέπει να έχει την ικανότητα να εμποδίζει τα σωματίδια που δημιουργούνται κατά την διάρκεια της εργασίας. Η μακροχρόνια έκθεση σε μεγάλης έντασης θόρυβο μπορεί να προκαλέσει απώλεια ακοής.

Κρατήστε τους παρευρισκόμενους μακριά από τον χώρο κατεργασίας. Οποιοσδήποτε εισέλθει στο χώρο εργασίας θα πρέπει να φοράει προσωπικά είδη προστασίας. Κατά την διάρκεια της εργασίας μπορεί να αποκολληθούν τμήματα του υλικού κατεργασίας ή και των σπασμένων εξαρτημάτων του εργαλείου και να εκσφενδονιστούν σε μεγάλη απόσταση εκτός του άμεσου χώρου εργασίας και να προκαλέσουν τραυματισμούς.

Κρατήστε το ηλεκτρικό εργαλείο από τις μονωμένες επιφάνειες όταν το χρησιμοποιείτε κοντά σε καλωδιώσεις ή σε μικρή απόσταση από το δικό καλώδιο τροφοδοσίας του. Η επαφή με κάποιο ενεργό καλώδιο μπορεί να μετατρέψει και τα μεταλλικά εξαρτήματα σε ζωντανά πράγμα που μπορεί με την σειρά του να οδηγήσει σε ηλεκτροπληξία.

Κρατήστε το καλώδιο μακριά από τα περιστρεφόμενα μέρη, σε περίπτωση που χάσετε τον έλεγχο του εργαλείου μπορεί να κοπεί ή να πιαστεί και να τραβήξει το χέρι σας προς την κατεύθυνση του εργαλείου.

Ποτέ μην αφήσετε το εργαλείο εάν δεν είναι εντελώς ακινητοποιημένο, το περιστρεφόμενο μέρος μπορεί να πιαστεί στην επιφάνεια που το ακουμπήσατε και να φύγει από τον έλεγχο σας.

Ποτέ μην μεταφέρετε κρατώντας το εργαλείο στα δεξιά ή στα αριστερά σας ενώ λειτουργεί, μπορεί να πιαστεί στα ρούχα σας και να κατευθυνθεί προς το σώμα σας.

Πραγματοποιήστε περιοδικό έλεγχο και καθαρισμό των οπών αερισμού-ψύξης του εργαλείου, ο ανεμιστήρας του κινητήρα αναρροφάει τη σκόνη που δημιουργείται κατά την διάρκεια της εργασίας, η οποία στην συνέχεια επικολλάται στο εσωτερικό του εργαλείου πράγμα που μπορεί να δημιουργήσει σοβαρά προβλήματα στο ηλεκτρικό του κύκλωμα.

Μην χρησιμοποιείτε το εργαλείο κοντά σε εύφλεκτα υλικά. Οι σπίθες που δημιουργούνται κατά την διάρκεια κάποιων εργασιών μπορεί να δημιουργήσουν ανάφλεξη.

Μην χρησιμοποιείτε εξαρτήματα τα οποία λειτουργούν με εφαρμοζόμενα υγρά ψύξης. Χρησιμοποιώντας νερό ή άλλα ψυκτικά υγρά θέτετε τον εαυτό σας σε κίνδυνο ηλεκτροπληξίας.

1.2. Λάκτισμα (Κλότσημα) και σχετικές προειδοποιήσεις ασφαλείας.

Το λάκτισμα είναι μια ακαριαία αντίδραση που παρουσιάζεται κατά την περιστροφή των εξαρτημάτων του εργαλείου. Κατά την περιστροφή των παρελκόμενων (δίσκοι λείανσης, δίσκοι κοπής, βούρτσες, πέλματα κ.α.) μπορεί να πιαστούν μέσα στο υλικό πράγμα το οποίο μπορεί να οδηγήσει σε ανάδρομη ώθηση και με την σειρά του σε απώλεια ελέγχου. Για παράδειγμα κατά την κατεργασία ενός υλικού ο δίσκος λείανσης μπορεί να πιαστεί μέσα στο υλικό και να τείνει να αναπηδήσει προς τα έξω. Η αναπήδηση αυτή μπορεί να έχει κατεύθυνση από και προς το μέρος του χειριστή ανάλογα με την φορά περιστροφής του δίσκου. Οι δίσκοι ενδέχεται να σπάσουν υπό αυτές τις συνθήκες. Το λάκτισμα είναι αποτέλεσμα λανθασμένης χρήσης του εργαλείου και μπορεί να αποφευχθεί ακολουθώντας τις παρακάτω οδηγίες.

Κρατήστε σφικτά και σταθερά το εργαλείο και τοποθετήστε το σώμα σας και τον ώμο σας έτσι ώστε να έχετε την δυνατότητα να φέρετε αντίσταση στα λακτίσματα. Χρησιμοποιήστε πάντοτε την βοηθητική λαβή εφόσον παρέχεται, έτσι ώστε να έχετε τον πλήρη έλεγχο των λακτισμάτων και άλλων αντιδράσεων που παρουσιάζονται κατά την διάρκεια την εργασίας και την εκκίνηση της. Όλες οι παραπάνω αντιδράσεις μπορούν υπό φυσιολογικές συνθήκες να αντιμετωπιστούν από τον χειριστή εάν έχουν ληφθεί τα απαιτούμενα μέτρα.

Ποτέ μην φέρετε το χέρι σας κοντά στα κινούμενα μέρη, μπορεί να γίνει κλότσημα προς το χέρι σας.

Μην τοποθετείτε το σώμα σας στην περιοχή την οποία μπορεί να κινηθεί το εργαλείο όταν γίνει το λάκτισμα. Το λάκτισμα συνήθως δημιουργεί την τάση μετακίνησης του σώματος του εργαλείου αντίθετα από την φορά περιστροφής του δίσκου. Δώστε μεγάλη προσοχή όταν χρησιμοποιείτε το εργαλείο κοντά σε γωνίες, αιχμηρές ακμές κτλ. Αποφύγετε τις αναπηδήσεις και τα μπλοκαρίσματα των παρελκόμενων. Οι γωνίες και οι αιχμές έχουν την ιδιότητα να μπλοκάρουν τα περιστρεφόμενα μέρη και με την σειρά τους να οδηγήσουν σε απώλεια ελέγχου.

Ποτέ μην τοποθετήσετε δίσκο κοπής ξύλου ή σύστημα κοπής με αλυσίδα. Αυτού του τύπου οι δίσκοι προκαλούν συχνά κλοτσήματα και μπορεί να είναι εξαιρετικά επικίνδυνοι.

1.3. Πρόσθετες πληροφορίες που αναφέρονται στην κοπή και την λείανση.

Να χρησιμοποιείτε πάντα τους κατάλληλους για το εργαλείο σας δίσκους και τον ειδικά σχεδιασμένο προφυλακτήρα του.

Δίσκοι οι οποίοι είναι ακατάλληλοι για χρήση με το εργαλείο μπορεί να μην καλύπτονται σωστά από τον προφυλακτήρα και να είναι επικίνδυνοι.

Ο προφυλακτήρας θα πρέπει να είναι ασφαλισμένος και τοποθετημένος σωστά στο εργαλείο έτσι ώστε να επιτευχθεί η μεγαλύτερη δυνατόν προστασία και να είναι εκτεθειμένο ένα μικρό μόνο μέρος του δίσκου προς το μέρος του χειριστή. Ο προφυλακτήρας προστατεύει τον χειριστή από τα θραύσματα και από την κατά λάθος επαφή με τον δίσκο.

Οι δίσκοι κοπής - λείανσης θα πρέπει να χρησιμοποιούνται μόνο σε κατεργασίες οι οποίες προτείνονται από τον κατασκευαστή. Για παράδειγμα: Μη χρησιμοποιείτε τις πλαϊνές πλευρές των δίσκων λείανσης. Οι δίσκοι λείανσης είναι κατασκευασμένοι για λείανση χρησιμοποιώντας την μεγάλη επιφάνεια τους. Η άσκηση πλευρικών δυνάμεων μπορεί να οδηγήσει στον θρυμματισμό τους.

Χρησιμοποιείτε φλάντζες οι οποίες είναι σε άριστη κατάσταση, έχουν το σωστό μέγεθος και σχήμα σύμφωνα με τα χαρακτηριστικά των δίσκων και του εργαλείου. Οι σωστού τύπου φλάντζες συγκρατούν τον δίσκο και μειώνουν τον κίνδυνο θραύσης. Οι φλάντζες για δίσκους κοπής ενδέχεται να διαφέρουν από αυτές των δίσκων λείανσης.

Μην χρησιμοποιείτε φθαρμένους δίσκους άλλων εργαλείων μεγαλύτερης διαμέτρου. Οι δίσκοι των μεγαλύτερων εργαλείων δεν είναι κατάλληλοι για τα μικρότερα εργαλεία καθώς αυτά αναπτύσσουν μεγαλύτερη ταχύτητα περιστροφής και μπορεί να θρυμματιστούν.

1.4. Πρόσθετες προειδοποιήσεις ασφαλείας εργασιών λείανσης/κοπής.

Μην μπλοκάρετε τον δίσκο και μην ασκείτε μεγάλη πίεση. Μην χρησιμοποιείτε το μέγιστο βάθος κοπής του εργαλείου με ένα πέρασμα. Η υπερφόρτωση του δίσκου αυξάνει το φορτίο και τις πιθανότητες κάμψης και μπλοκαρίσματος κατά την κοπή όπως επίσης και του κλοτσήματος ή της θραύσης.

Μην τοποθετείτε το σώμα σας στην ευθεία ή πίσω από τον περιστρεφόμενο δίσκο.

Κατά την διάρκεια της λειτουργίας του εργαλείου και όταν ο δίσκος απομακρύνεται από το σώμα σας τα πιθανά λακτίσματα μπορεί να κάνουν το εργαλείο να κατευθυνθεί προς το μέρος σας.

Σε περίπτωση μπλοκαρίσματος ή γενικότερα διακοπής για οποιονδήποτε λόγο απενεργοποιήστε το εργαλείο και κρατήστε το ακίνητο ωσότου αυτό ακινητοποιηθεί εντελώς. Σε καμία περίπτωση μην επιχειρήσετε να αφαιρέσετε τον δίσκο κοπής ενώ είναι μπλοκαρισμένος και περιστρέφεται διότι θα προκληθεί κλότσημα. Εξετάστε την πιθανή αιτία του προβλήματος που οδηγεί στο μπλοκάρισμα και αντιμετωπίστε το αναλόγως.

Μην επανεκκινήσετε το εργαλείο ενώ ο δίσκος βρίσκεται μέσα στο υλικό που κατεργάζεστε. Επιτρέψτε στον δίσκο να αναπτύξει την μέγιστη ταχύτητα περιστροφής και ανατοποθετήστε το στην τομή. Σε περίπτωση που ο δίσκος του εργαλείου επανεκκινηθεί ενώ βρίσκεται μέσα στο υλικό το οποίο κατεργάζεστε μπορεί να προκληθεί μπλοκάρισμα, λάκτισμα η άλλες ανεπιθύμητες αντιδράσεις.

Χρησιμοποιείτε μέσα συγκράτησης όταν πραγματοποιείτε κατεργασία μεγάλων τεμαχίων έτσι ώστε να μειώσετε τον κίνδυνο λακτίσματος και μπλοκαρίσματος. Τα μεγάλα τεμάχια υλικών τείνουν να καμπυλώνονται λόγω του μεγάλου βάρους τους. Τα στηρίγματα πρέπει να τοποθετηθούν κάτω από το σημείο το οποίο πρόκειται να κατεργασθεί, στην νοητή ευθεία κοπής και στην άκρη του τεμαχίου και από τις δύο πλευρές του δίσκου.

Όταν κάνετε τομές σε τοιχοποιία ή σε άλλα υλικά που μπορεί να κρύβουν στο εσωτερικό τους σωλήνες αερίου, ύδατος, αγωγούς ηλεκτρικού ρεύματος ή άλλα αντικείμενα τα οποία μπορεί να προκαλέσουν λακτίσματα ή μπλοκάρισμα θα πρέπει να είστε ιδιαίτερος προσεκτικοί.

1.5. Προειδοποιήσεις ασφαλείας εργασιών λείανσης

Μην χρησιμοποιείτε μεγαλύτερης διάστασης φύλλα λείανσης από τα προτεινόμενα. Ακολουθήστε τις οδηγίες του κατασκευαστή όταν πρόκειται να προμηθευτείτε φύλλα λείανσης. Η χρήση μεγαλύτερων φύλλων λείανσης από τα προτεινόμενα μπορεί να οδηγήσει στην καταστροφή του δίσκου και να οδηγήσει σε λάκτισμα ή μπλοκάρισμα.

1.6. Προειδοποιήσεις ασφαλείας λείανσης με βούρτσα

Κατά την χρήση βούρτσας εκσφενδονίζονται συρμάτινα τμήματα της βούρτσας. Μην υπερφορτώνετε την βούρτσα ασκώντας υπερβολική πίεση. Οι συρμάτινες τρίχες της βούρτσας μπορούν να τρυπήσουν πού εύκολα το δέρμα και τα ρούχα σας.

Σε περίπτωση που προτείνεται η χρήση προφυλακτήρα σε συνδυασμό με την βούρτσα, μην επιτρέψετε στην βούρτσα να έρθει σε επαφή με τον προφυλακτήρα. Η διάμετρος της βούρτσας μπορεί να αλλάξει λόγω του φορτίου και της φυγοκέντρου.

1.7. Πρόσθετες προειδοποιήσεις ασφαλείας



Χρησιμοποιήστε γυαλιά προστασίας.

Χρησιμοποιήστε τους κατάλληλους ανιχνευτές για να εντοπίσετε τυχόν κρυμμένες γραμμές που βρίσκονται στο χώρο εργασίας ή καλέστε την αρμόδια υπηρεσία για να σας βοηθήσει με αυτό το πρόβλημα. Η επαφή με ηλεκτρικές γραμμές μπορεί να οδηγήσει σε πυρκαγιά και ηλεκτροπληξία. Η πρόκληση βλάβης σε αγωγούς αερίου μπορεί να οδηγήσει σε έκρηξη. Τέλος, η πρόκληση βλάβης σε αγωγούς ύδατος μπορεί να προκαλέσει ηλεκτροπληξία και καταστροφή περιουσίας.

Σε περίπτωση απρόσμενης διακοπής λειτουργίας, όπως για παράδειγμα διακοπή ρεύματος ή τράβηγμα του καλωδίου τροφοδοσίας από την παροχή, βάλτε τον διακόπτη λειτουργίας (ON/OFF) στην θέση OFF. Με αυτόν τον τρόπο θα αποφύγετε μια απρόσμενη επανεκκίνηση. Ο πραγματοποιείτε κατεργασία πέτρας και δομικών υλικών χρησιμοποιήστε μέσα αναρρόφησης σκόνης. Το σύστημα αναρρόφησης θα πρέπει να έχει τις προδιαγραφές και να έχει εγκριθεί για αναρρόφηση σκόνης. Η χρήση αυτού του

εργαλείου μειώνει τους κινδύνους που σχετίζονται με την σκόνη.

Κατά την διάρκεια της χρήσης του εργαλείου κρατήστε το σφιχτά και σταθερά διατηρώντας σωστή και ασφαλή στάση σώματος. Για μεγαλύτερη σταθερότητα χρησιμοποιήστε και τα δύο σας χέρια.

Χρησιμοποιήστε μέσα συγκράτησης του υλικού κατεργασίας. Προτιμήστε σφικτήρες ή μέγγενη για την συγκράτηση των υλικών στα οποία κάνετε κατεργασία, με αυτόν τον τρόπο μπορείτε να το συγκρατήσετε με μεγαλύτερη ασφάλεια σε σχέση με την δύναμη των χεριών σας.

Διατηρήστε καθαρό τον χώρο εργασίας. Οι συνδυασμοί υλικών που βρίσκονται στο χώρο εργασίας μπορεί να είναι επικίνδυνοι. Η σκόνη κάποιων υλικών μπορεί να αναφλεχθεί ή ακόμα και να εκραγεί.

Μην επιχειρήσετε να χρησιμοποιήσετε εργαλείο το οποίο έχει χαλασμένο καλώδιο τροφοδοσίας. Μην ακουμπάτε το χαλασμένο καλώδιο, βγάλτε το καλώδιο από την πρίζα όταν αντιληφθείτε τοι είναι χαλασμένο. Τα χαλασμένα καλώδια αυξάνουν τον κίνδυνο ηλεκτροπληξίας.

2. Περιγραφή Λειτουργίας



Διαβάστε προσεκτικά όλες τις οδηγίες ασφαλείας και τις προειδοποιήσεις.

Αν δεν ακολουθήσετε τις οδηγίες ασφαλείας και τις προειδοποιήσεις θέτετε τον εαυτό σας σε κίνδυνο ηλεκτροπληξίας, πυρκαγιάς ή και σοβαρούς τραυματισμούς.

2.1 Προβλεπόμενη Χρήση

Το εργαλείο έχει κατασκευασθεί και προορίζεται για χρήση κοπής, λείανσης και βουρτσίσματος μετάλλου και δομικών υλικών χωρίς την προσθήκη ύδατος.

Χρησιμοποιώντας τα εγκεκριμένα εξαρτήματα λείανσης μπορεί να χρησιμοποιηθεί και για λείανση.

2.2 Περιγραφή Προϊόντος

Η αρίθμηση των παρακάτω στοιχείων αναφέρεται στην απεικόνιση του εργαλείου στην αντίστοιχη σελίδα του εγχειριδίου.

- 1 Βίδα συγκράτησης προφυλακτήρα
- 2 Κουμπί ασφάλισης άξονα
- 3 Διακόπτης λειτουργίας ON / OFF
- 4 Βοηθητική χειρολαβή
- 5 Περιστροφικός άξονας
- 6 Προφυλακτήρας λείανσης
- 7 Εσωτερική φλάντζα συγκράτησης
- 8 Δίσκος λείανσης / κοπής
- 9 Εξωτερική φλάντζα συγκράτησης

2.3 Πληροφορίες Θορύβου / Κραδασμών

D_{max} = Μέγιστη διάμετρος δίσκου

n = Ταχύτητα χωρίς φορτίο

M = Σπείρωμα άξονα

P_1 = Ισχύς

A_{hw} = Επιτάχυνση

L_{PA} = Επίπεδο ακουστικής πίεσης

L_{WA} = Επίπεδο ακουστικής ισχύος

Κατά την διάρκεια λειτουργίας το επίπεδο θορύβου μπορεί να ξεπεράσει τα 85dB (A)



ΧΡΗΣΙΜΟΠΟΙΗΣΤΕ ΑΚΟΥΣΤΙΚΑ ΕΡΓΑΣΙΑΣ!

m = Μάζα

3. Συναρμολόγηση

3.1 Τοποθετώντας τα προστατευτικά εξαρτήματα.



Προτού κάνετε την οποιαδήποτε ενέργεια - ρύθμιση του εργαλείου βγάλτε το πρώτα από την πρίζα.

Προφυλακτήρας Λείανσης

Τοποθετήστε τον προφυλακτήρα λείανσης **6** πάνω στο κολάρο του άξονα έτσι ώστε ταιριάζει. Πιέστε και κρατήστε την βίδα **1** κατά την διάρκεια αυτής της ενέργειας.

Ρυθμίστε την θέση του προφυλακτήρα **6** σύμφωνα με τις απαιτήσεις της εργασίας που πρόκειται να πραγματοποιήσετε.

Ξεβιδώστε την βίδα **1** και θέστε τον προφυλακτήρα **6** στην επιθυμητή θέση.

Ρυθμίστε την θέση του προφυλακτήρα έτσι ώστε να εμποδιστούν οι σπίθες που κατευθύνονται προς το μέρος του χρήστη. Ο προφυλακτήρας **6** θα πρέπει να αλλάζει θέση μόνο εφόσον χρησιμοποιήσετε την βίδα **1**! Σε αντίθετη περίπτωση το εργαλείο δεν θα πρέπει να χρησιμοποιείτε και θα πρέπει να απευθυνθείτε στο εξουσιοδοτημένο τμήμα Service.

Βοηθητική Χειρολαβή

Χρησιμοποιήστε πάντοτε την χειρολαβή 4 σε όλες τις εργασίες!

Τοποθετήστε σφίγγοντας την χειρολαβή στα δεξιά ή στα αριστερά αναλόγως με τον τρόπο εργασίας.

3.2 Τοποθετώντας τα εξαρτήματα λείανσης



Προτού κάνετε την οποιαδήποτε ενέργεια - ρύθμιση του εργαλείου βγάλτε το πρώτα από την πρίζα.

Οι δίσκοι κοπής και λείανσης αναπτύσσουν μεγάλη θερμοκρασία κατά την διάρκεια λειτουργίας, περιμένετε να κρυσώσουν προτού τους ακουμπήσετε.

Καθαρίστε πρώτα όλα τα εξαρτήματα που πρόκειται να τοποθετηθούν καθώς και τον άξονα **5**. Για να σφίξετε ή να ξεσφίξετε τους δίσκους χρησιμοποιήστε το κουμπί ασφάλισης του άξονα **2**.



Μην πιέσετε το κουμπί ασφάλισης του άξονα ενώ το εργαλείο ακόμα βρίσκεται σε λειτουργία καθώς μπορεί να προκληθούν βλάβες σε αυτό.

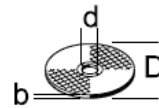
Δίσκος Κοπής / Λείανσης

Δώστε μεγάλη προσοχή στις αναγραφόμενες διαστάσεις των δίσκων και των άλλων παρελκομένων. Η εσωτερική διάμετρος θα πρέπει να ταιριάζει στον άξονα και τις φλάντζες χωρίς να έχει κενό. Μην χρησιμοποιείτε αντάπορες ή και αποστάτες.

Όταν χρησιμοποιείτε διαμαντόδίσκους δώστε μεγάλη προσοχή κατά την τοποθέτηση τοποθετώντας τους σύμφωνα με το βέλος που έχουν στην επιφάνεια τους και την φορά περιστροφής του άξονα του εργαλείου. (Βλέπε ένδειξη στην κεφαλή του εργαλείου). Ακολουθήστε τις οδηγίες συναρμολόγησης που βρίσκονται στο εγχειρίδιο για να δείτε την σειρά τοποθέτησης των εξαρτημάτων. Για να σφίξετε τον δίσκο, χρησιμοποιήστε τις φλάντζες και το κλειδί σύσφιξης.

Αφού τοποθετήσετε το δίσκο και προτού θέσετε το εργαλείο σε λειτουργία ελέγξτε ότι έχουν τοποθετηθεί σωστά όλα τα εξαρτήματα και μπορεί να περιστραφεί ελεύθερα. Βεβαιωθείτε ότι δεν υπάρχει τριβή μεταξύ του δίσκου και του προφυλακτήρα.

	máx [mm]	[mm]		
	D	b	d	[min ⁻¹] [m/s]



115	6	22,2	11000	80
125	6	22,2	10500	80

3.3. Εγκεκριμένα Εξαρτήματα Λείανσης

Όλα τα εξαρτήματα που αναφέρονται σε αυτές τις οδηγίες μπορούν να χρησιμοποιηθούν. Η μέγιστη επιτρεπόμενη ταχύτητα λειτουργίας των εξαρτημάτων θα πρέπει να είναι τουλάχιστον ίση με αυτές του παρακάτω πίνακα.

3.4 Απομάκρυνση σκόνης / ρινισμάτων

Οι σκόνες από υλικά όπως είναι τα υλικά εξωτερικής επίστρωσης, κάποιοι τύποι ξύλου – ορυκτών – μετάλλων μπορεί να είναι επικίνδυνα για την υγεία του χειριστή. Η επαφή ή εισπνοή της σκόνης τους μπορεί να προκαλέσει αλλεργικές αντιδράσεις ή και αλλοιώσεις του αναπνευστικού συστήματος του χειριστή και των παρευρισκόμενων.

Κάποιοι τύποι σκόνης, όπως είναι αυτή της δρυός ή της οξιάς έχουν αποδειχθεί ότι προκαλούν καρκινογενέσεις ακόμα περισσότερο όταν συνδυάζονται με προσθετικά ξύλου όπως είναι τα συντηρητικά. Τα υλικά που περιέχουν αμιάντο θα πρέπει να κατεργάζονται μόνο από επαγγελματίες.

- Χρησιμοποιήστε κάποιο σύστημα αναρρόφησης σκόνης όποτε αυτό είναι δυνατόν.
- Φροντίστε να είναι καλά αεριζόμενος ο χώρος εργασίας.
- Προτείνεται να φοράτε μάσκα με φίλτρο τύπου P2.

4. Λειτουργία

4.1. Διαδικασία εκκίνησης

Βεβαιωθείτε ότι τα χαρακτηριστικά της παροχής ρεύματος συμφωνούν με αυτά του εργαλείου! Τα εργαλεία που λειτουργούν με 230 V μπορούν να λειτουργήσουν και με 220 V. Όταν χρησιμοποιείτε γεννήτριες για να ισχυοδοτήσετε το εργαλείο οι οποίες δεν έχουν τα κατάλληλα χαρακτηριστικά στην παροχή τους ή δεν διαθέτουν σύστημα ρύθμισης έντασης μπορεί να διαπιστώσετε ότι η λειτουργία παρουσιάζει αστάθεια ή έλλειψη ισχύος. Παρακαλούμε να ελέγξετε την συμβατότητα μεταξύ της γεννήτριας και του εργαλείου, ειδικά τα στοιχεία που αφορούν στην ισχύ και την συχνότητα.

Ενεργοποίηση / Απενεργοποίηση (On/Off)

Για να **εκκινήσετε** το εργαλείο, πιέστε τον διακόπτη ON/OFF 3 προς τα εμπρός.

Για να **ασφαλίσετε** τον διακόπτη ON/OFF 3, πιέστε τον διακόπτη ON/OFF 3 προς τα μπροστά και κάτω μέχρι να ασφαλίσει.

Για να **απενεργοποιήσετε** το εργαλείο, απελευθερώστε τον διακόπτη ON/OFF 3 ή σε περίπτωση που είναι ασφαλισμένος πιέστε το πίσω μέρος του διακόπτη και έπειτα απελευθερώστε τον.

Έλεγχος παρελκομένων πριν από την χρήση. Τα παρελκόμενα θα πρέπει να τοποθετηθούν σωστά και να μπορούν να περιστρέφονται χωρίς εμπόδιο. Πραγματοποιήστε μια δοκιμαστική εκκίνηση ενός λεπτού χωρίς φορτίο. Μην χρησιμοποιείτε φθαρμένα, ασαθή ή άλλα εξαρτήματα που δυσλειτουργούν. Τα εξαρτήματα τα οποία είναι φθαρμένα μπορεί να θρυμματιστούν και να προκαλέσουν τραυματισμούς.

4.2 Συμβουλές Χρήσης

Όταν πραγματοποιείτε τομές σε τοιχοποιία να δώσετε μεγάλη προσοχή (βλέπε παράγραφο «πληροφορίες τοιχοποιίας»). Χρησιμοποιήστε μέσα συγκράτησης του τεμαχίου επεξεργασίας αν αυτό δεν παραμένει ακίνητο μόνο το βάρος του.

- Μην υπερφορτώνετε το εργαλείο με αποτέλεσμα να ακινητοποιείται.

- Οι δίσκοι κοπής- λείανσης μπορεί να αναπτύξουν μεγάλη θερμοκρασία, μην του ακουμπήσετε ενώ είναι ακόμα ζεστοί.

Εργασίες κατεργασίας κοπής – λείανσης.

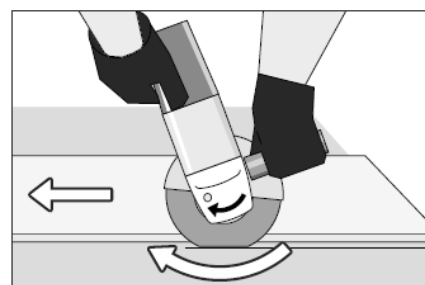
Μην χρησιμοποιείτε τους δίσκους κοπής για να λείανετε.

Για να έχετε καλύτερα αποτελέσματα κατά την λείανση χρησιμοποιήστε το εργαλείο μεταξύ των 30 και των 40 μοιρών. Μετακινήστε μπρος και πίσω το εργαλείο ασκώντας την κατάλληλη πίεση. Με τον παραπάνω τρόπο θα αποφύγετε την υπερθέρμανση του υλικού, την αλλοίωση του χρώματος και την εμφάνιση σημαδιών.

Κοπή μετάλλου

Κατά την διάρκεια της κοπής χρησιμοποιήστε με την ιδανική ταχύτητα κοπής το εργαλείο σας για το συγκεκριμένο υλικό κατεργασίας. Μην ασκείτε μεγαλύτερη πίεση από αυτήν που πρέπει, μην το στρέψετε και μη δημιουργείτε ταλάντωση.

Μην μειώνετε την ταχύτητα περιστροφής του δίσκου ασκώντας πλευρική πίεση. Το εργαλείο αυτό θα πρέπει να χρησιμοποιείται πάντοτε σε όρθια θέση λειτουργίας. Στην αντίθετη περίπτωση παρουσιάζεται ο κίνδυνος απώλειας ελέγχου. Όταν κάνετε τομές σε προφίλ και τετραγωνικής διατομής υλικά, θα είναι καλύτερα να ξεκινήσετε από την μικρότερη πλευρά πρώτα.



Κοπή δομικών υλικών
Το εργαλείο προορίζεται μόνο για ξηρά κοπή / λείανση.
Για την κοπή δομικών υλικών προτείνεται η

χρήση διαμαντοδίσκου. Ενεργοποιήστε το εργαλείο και τοποθετήστε την εμπρόσθια επιφάνεια του δίσκου στο υλικό που θέλετε να κόψετε. Μετακινήστε το εργαλείο, με ανάλογη με τις απαιτήσεις, ταχύτητα. Όταν κόβετε ιδιαίτερα σκληρά υλικά π.χ. τσιμέντο με προσθήκη χαλκικού, ο δίσκος μπορεί να υπερθερμανθεί και να φθαρεί. Σημείο ένδειξης έτσι ώστε να αποφύγετε την φθορά είναι η εμφάνιση σπινθήρων οι οποίοι περιστρέφονται μαζί με τον δίσκο. Σε αυτή την περίπτωση διακόψτε την διαδικασία κοπής και επιτρέψτε στον δίσκο να κρυώσει αφήνοντας το εργαλείο να λειτουργήσει για μερικά λεπτά στην μέγιστη ταχύτητα χωρίς φορτίο.

Εάν παρουσιαστεί μείωση της απόδοσης του εργαλείου και εμφανίζονται σπινθήρες συχνότερα μπορεί να σημαίνει ότι ο δίσκος έχει στομώσει. Η κοπή υλικών με μεγάλη αντίσταση τριβής (όπως π.χ. τα πυριτοασβεστολιθικά τούβλα) μπορεί να ακονίσουν το εργαλείο.

Πληροφορίες τοιχοποιίας

Τα κανάλια τοιχοποιίας υπόκεινται στον κανονισμό DIN 1053 PART 1 ή στον ανάλογο κανονισμό της χώρας σας. Οι κανονισμοί αυτοί θα πρέπει να τηρούνται σε όλες τις περιπτώσεις. Προτού ξεκινήσετε την εργασία συμβουλευτείτε τον αρμόδιο μηχανικό.

5. Συντήρηση και Service

5.1 Συντήρηση και Service

Προτού ξεκινήσετε τις εργασίες συντήρησης και επισκευής, βγάλτε το καλώδιο τροφοδοσίας του εργαλείου από την πρίζα.

Για την ασφαλή και ορθή χρήση του εργαλείου βεβαιωθείτε ότι οι οπές εξαερισμού είναι καθαρές.

Σε κάποιες περιπτώσεις μπορεί να συσσωρευθούν τα ρινίσματα στο εσωτερικό του εργαλείου όταν πραγματοποιείτε κατεργασία μετάλλου. Η προστατευτική μόνωση του εργαλείου μπορεί να υποβαθμιστεί. Προτείνουμε να χρησιμοποιείτε κάποιο σύστημα αναρρόφησης σκόνης όπως επίσης και να καθαρίζετε με πίεση αέρος τις οπές αερισμού και να εγκαταστήσετε μια συσκευή προστασίας τάσης.

Χειριστείτε και αποθηκεύστε το εργαλείο και τα εξαρτήματα του με προσοχή.

Σε περίπτωση δυσλειτουργίας παρά τους ελέγχους λειτουργίας και ποιότητας, του κατασκευαστή παραδώστε το εργαλείο σε κάποιο από τα εξουσιοδοτημένα τμήματα Service.

Για την διευκόλυνση σας άλλα και του τμήματος Service συμπεριλάβετε σε όλες τις παραγγελίες τον αριθμό αναφοράς που αναγράφεται στον πίνακα των στοιχείων του εργαλείου.

ΠΡΟΣΟΧΗ! Σημαντικές οδηγίες για την σύνδεση διπολικού ή τριπολικού καλωδίου.

Οι αγωγοί που εμπεριέχουν τα καλώδια έχουν τα εξής κωδικοποιημένα χρώματα:

Ποτέ μην συνδέσετε το μπλε ή το καφέ χρώμα στην γείωση του ακροδέκτη. Σημαντική πληροφορία: Σε περίπτωση που το βύσμα αποσυνδεθεί από το καλώδιο του εργαλείου αντικατασταθεί με ένα νέο και το παλιό να απορριφθεί.

Τεχνικά Χαρακτηριστικά	
Τάση λειτουργίας	230V/120V
Συχνότητα λειτουργίας	50/60HZ
Ισχύς	840W
Ταχύτητα περιστροφής εν κενώ	0-11000rpm
Διάμετρος Δίσκου	125mm

*Ο κατασκευαστής διατηρεί το δικαίωμα να πραγματοποιήσει δευτερεύουσες αλλαγές στο σχεδιασμό του προϊόντος και στα τεχνικά χαρακτηριστικά χωρίς προηγούμενη ειδοποίηση, εκτός εάν οι αλλαγές αυτές επηρεάζουν σημαντικά την απόδοση και λειτουργία ασφάλειας των προϊόντων. Τα εξαρτήματα που περιγράφονται / απεικονίζονται στις σελίδες του εγχειριδίου που κρατάτε στα χέρια σας ενδέχεται να αφορούν και σε άλλα μοντέλα της σειράς προϊόντων του κατασκευαστή, με παρόμοια χαρακτηριστικά, και ενδέχεται να μην περιλαμβάνονται στο προϊόν που μόλις αποκτήσατε.

* Λάβετε υπόψη ότι ο εξοπλισμός μας δεν έχει σχεδιαστεί για χρήση σε εμπορικές, επαγγελματικές ή βιομηχανικές εφαρμογές. Η εγγύησή μας θα ακυρωθεί αν το προϊόν χρησιμοποιείται σε εμπορικές, επαγγελματικές ή βιομηχανικές επιχειρήσεις ή για ανάλογους σκοπούς.

* Για να διασφαλιστεί η ασφάλεια και η αξιοπιστία του προϊόντος καθώς και η ισχύς της εγγύησης όλες οι εργασίες επιδιόρθωσης, ελέγχου, επισκευής ή αντικατάστασης συμπεριλαμβανομένης της συντήρησης και των ειδικών ρυθμίσεων, πρέπει να εκτελούνται μόνο από τεχνικούς του εξουσιοδοτημένου τμήματος Service του κατασκευαστή.

