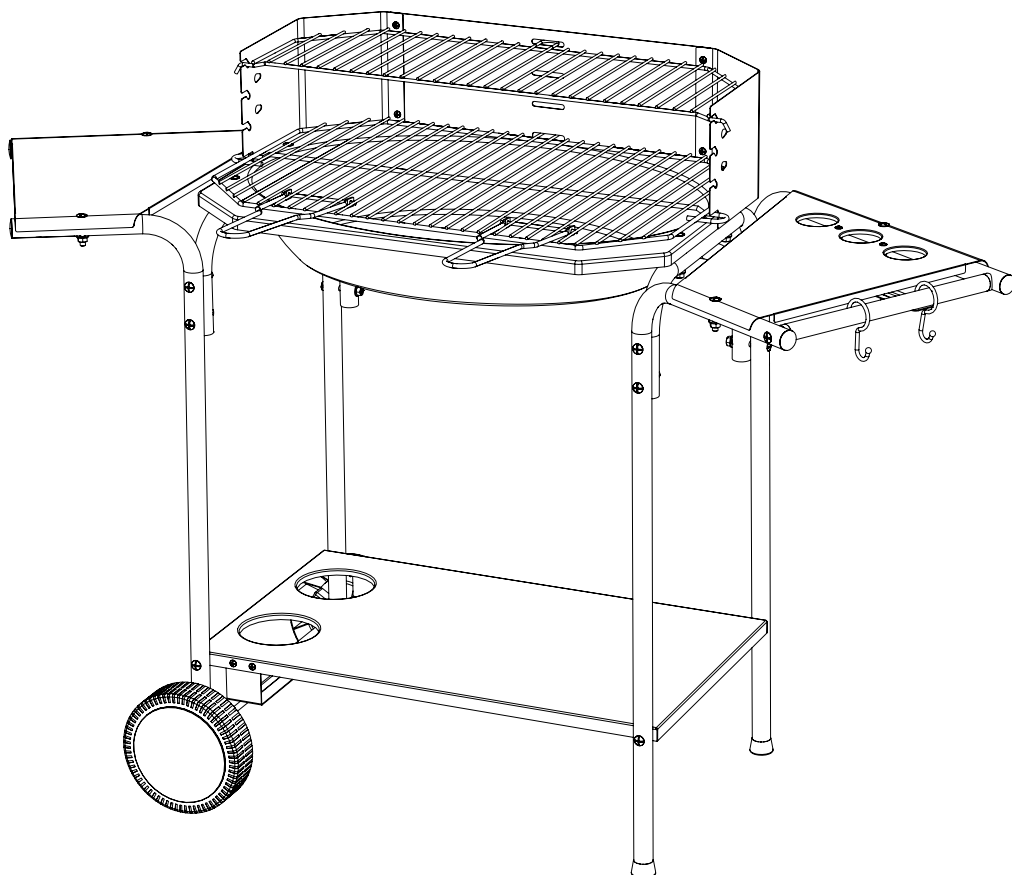
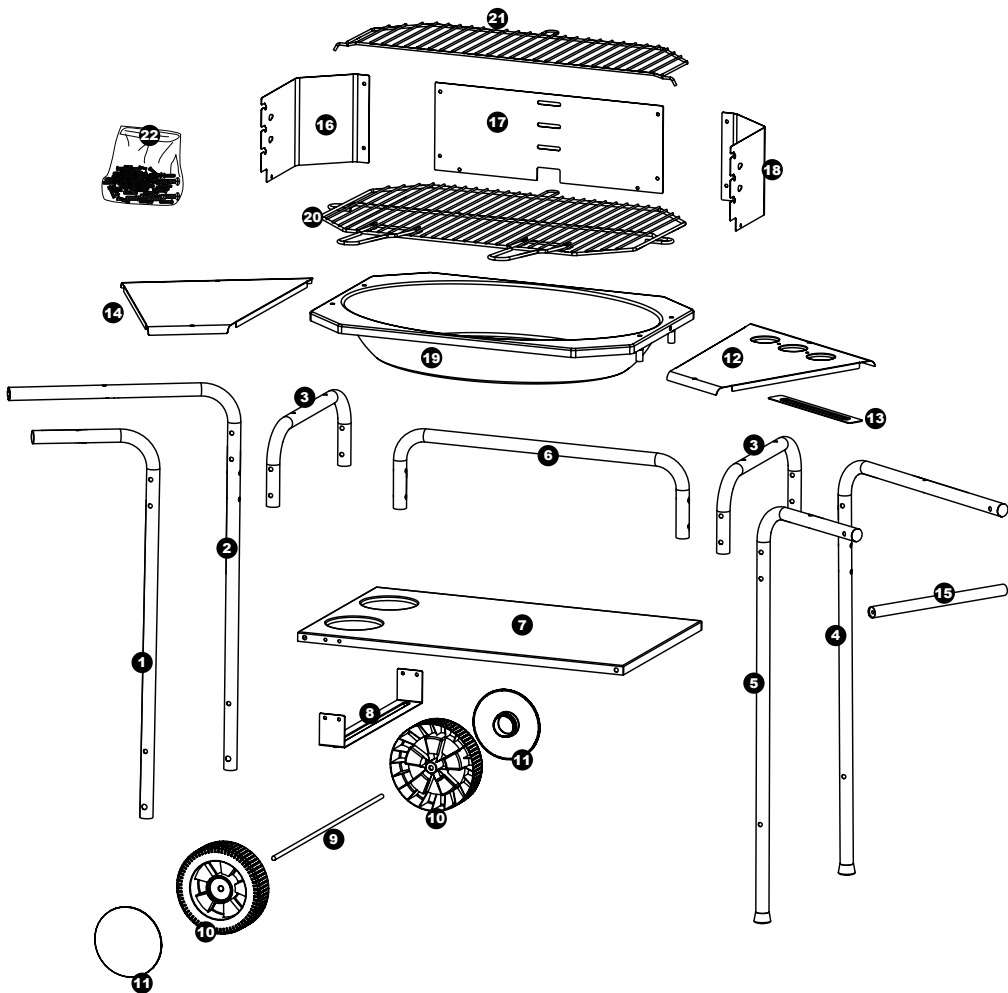


TOM 316142i (NF)





	6 x 50	16
	6 x 35	10
	4 x 65	2
	4 x 12	8
	4 x 8	4
	Ø8 x 55	2
	Ø10 x 20	4

	Ø6	2
	Ø6	24
	Ø4	14
	Ø8	2
	Ø6	24
	Ø4	14
		2




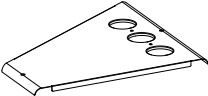


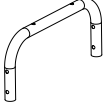
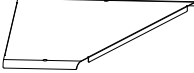

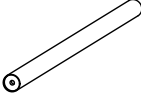

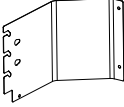
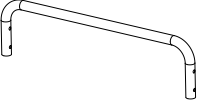
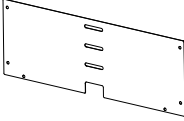
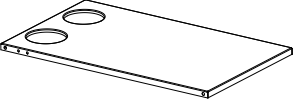



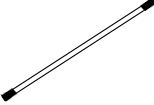
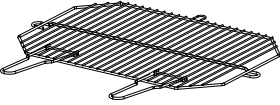


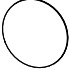

APPAREILS MÉNAGERS
UTILISANT DES COMBUSTIBLES
LIQUIDES OU SOLIDES

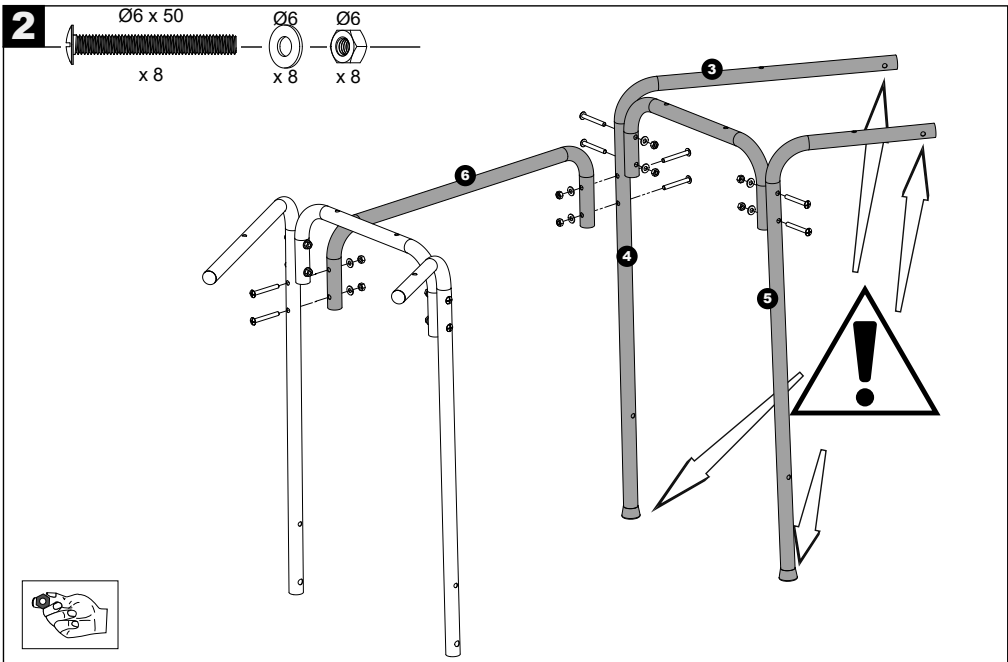
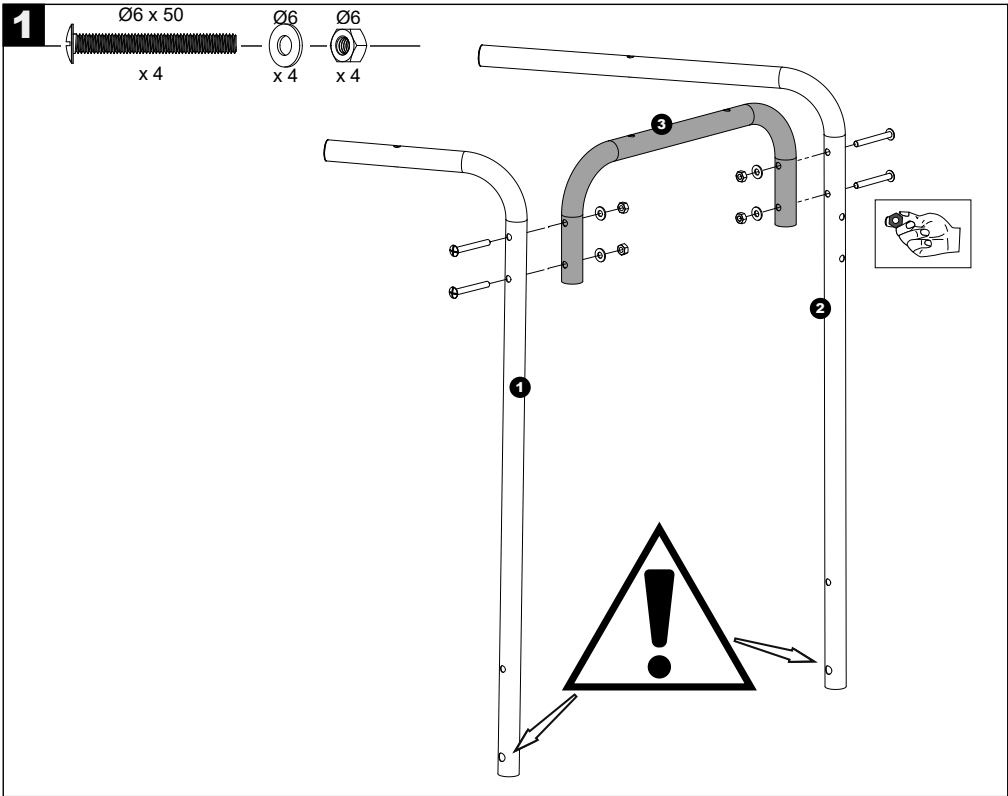
www.marque-nf.com

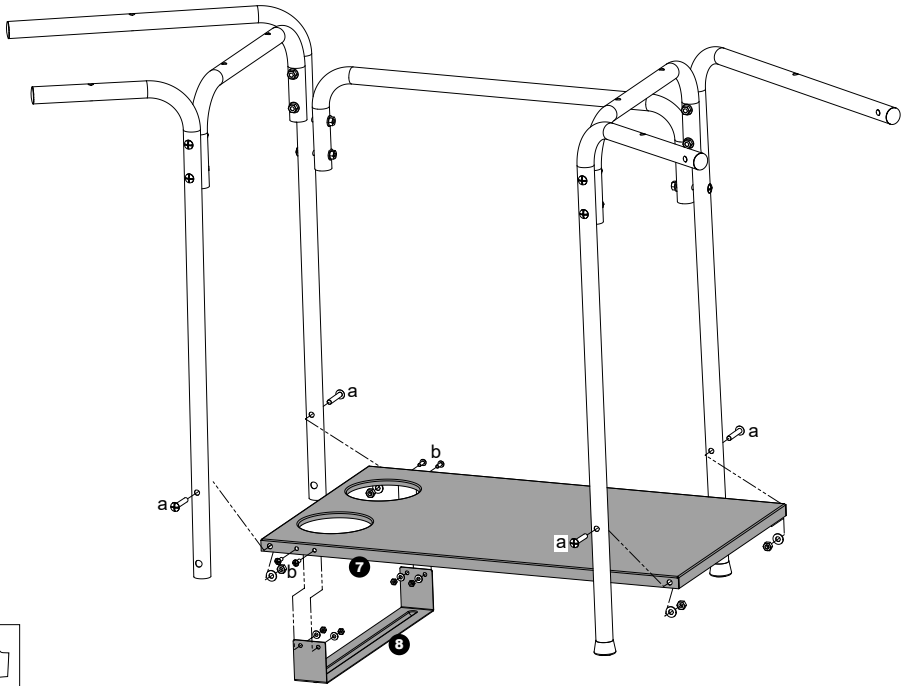
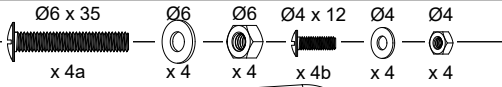


DOMESTIC APPLIANCES
USING LIQUID OR SOLID FUELS

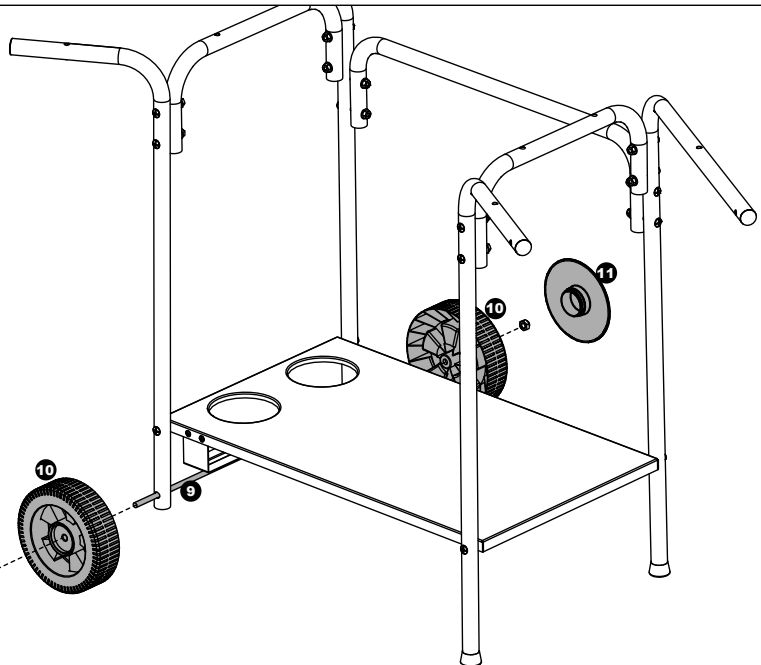
www.marque-nf.com

1		x1	12		x1
2		x1	13		x1
3		x2	14		x1
4		x1	15		x1
5		x1	16		x1
6		x1	17		x1
7		x1	18		x1
8		x1	19		x1
9		x1	20		x1
10		x2	21		x1
11		x2	22		x1

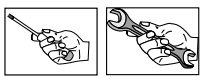
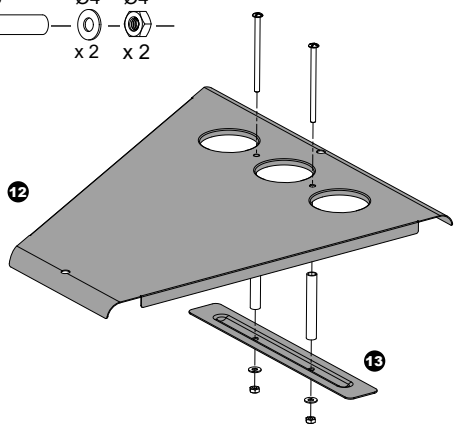


3**4**

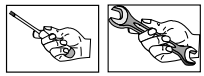
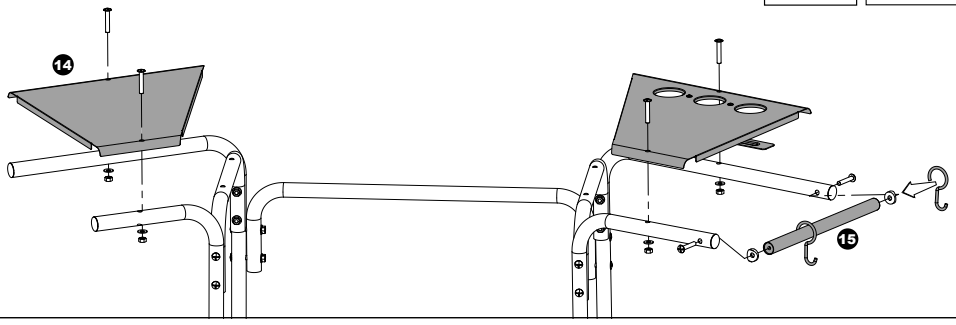
Ø8 nylstop



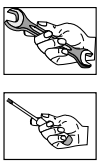
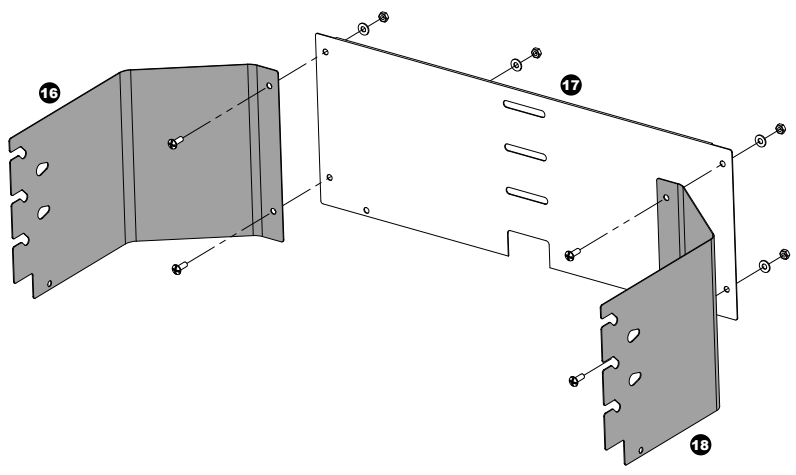
5 $\varnothing 4 \times 65$ $\varnothing 8 \times 55$ $\varnothing 4$ $\varnothing 4$
 x 2 x 2 x 2 x 2



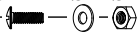
6 $\varnothing 6 \times 35$ $\varnothing 6$ $\varnothing 6$ $\varnothing 6$
 x 6 x 4 x 4 x 2

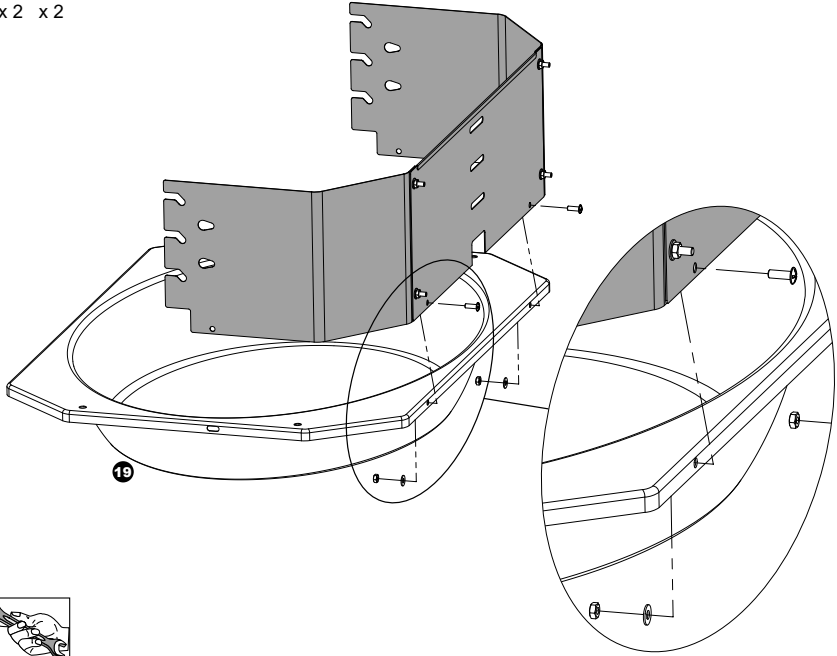


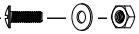
7 $\varnothing 4 \times 8$ $\varnothing 4$ $\varnothing 4$
 x 4 x 4 x 4



8

$\varnothing 4 \times 12$ $\varnothing 4$ $\varnothing 4$

 x 2 x 2 x 2

**9**

$\varnothing 4 \times 12$ $\varnothing 4$ $\varnothing 4$

 x 2 x 2 x 2

